

TRINE
ACCESS TECHNOLOGY



AXION

PREMIUM ELECTRIC STRIKES

2011 CATALOG & PRICEBOOK

Prices subject to change without notice

Prices effective April 1, 2011

TABLE OF CONTENTS



LIGHT COMMERCIAL STRIKES

CHIMES & ACCESSORIES

4800 Series: The Universal Strike 3

4850	4
4800	5
4800LB/4801	6
4800 Series Dimensions	7

EN Series The Outdoor Rated Strike 8

Features	9
EN400	10
EN430	11
EN435	11
EN800	11
EN850	11
EN950	12
EN960	12
EN-LB	12
Options	13
Dimensions	14

3000 Series Smallest Strike in the World 16

Features	17
NEW 323478LC	18
234, 234X-375, 258, 334	19
458, 478, 478X-375	20
3234/ 3234W	21
3258	21
3458	21
3478	21
Ansi Solution	22
Dimensions	23

00 Series Light Commercial 28

001	29
002	29
003	29
004	29
005	30
HD005	30
S005	30
006	30
007	30
012	31
S012	31
014(W)	31

2000 Series Adjustable Latch 32

2001	32
2002	32
2002WR	32
2007	32
2009	33
2012	33
2678	33

1000 Series 33

1001-2	33
1002-2	33

**EFFECTIVE DATE:
APRIL 1ST 2011**

Wireless Chimes 34

Wireless Controllers & Transmitters 35

Door Alarms, Switches, & Motion Alerts 36

Door Chimes, Buzzers & Chime Kits 37

Low Voltage Transformers 38

Push Buttons Lighted & Unlighted 39

Glossary 40

Notes 41

Conditions of Sales 42

Electric Strike Cross Reference Chart 43

Updates:
New 4850LB & 4801LB
4850 now has 6
anchoring pins

Discontinued Products:
017TDC-2
EN900/EN900W

4800 SERIES STRIKES



AXION
PREMIUM ELECTRIC STRIKES

**ALWAYS
BE
PREPARED**



**SIZE ADJUSTABLE,
VOLTAGE SELECTABLE,
ALWAYS DEPENDABLE**

Shown: 4850-32D

THE UNIVERSAL 4850

TRINE
ACCESS TECHNOLOGY

- Use with surface mounted rim exit devices with up to 1" throw. For use in new or replacement installations in wood or metal door frames.

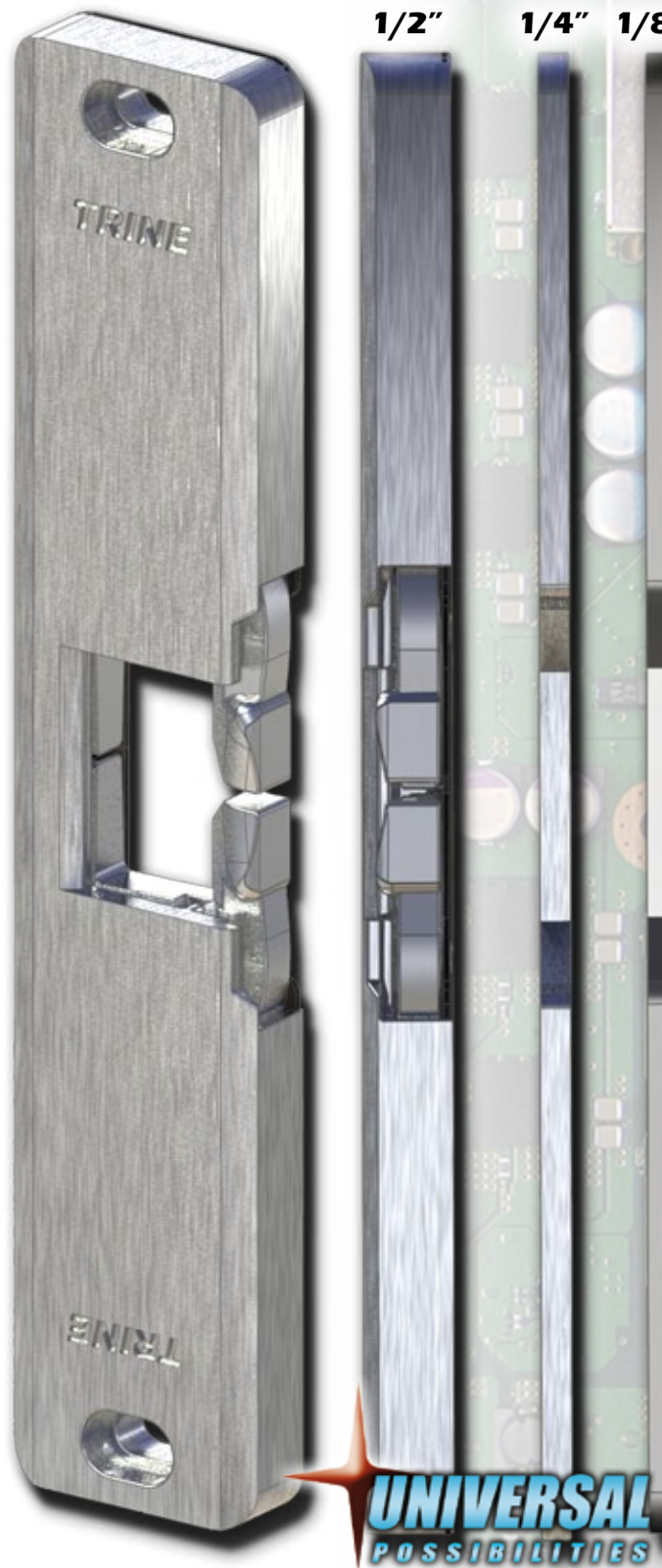
• NO CUTTING OF THE FRAME

- Built-in electronics automatically allows 11 thru 28 DC Voltage input – with surge and kickback protection included.
- Comes with Trines Patented 6-pin Anchoring System for extra strength and stability.
- Contains a one piece locking mechanism with one Solenoid – **less parts mean less problems.**
- Fail-safe/Fail-secure (field selectable)
- Grade 1 strike: 1,500 lbs Holding Force.
- 1,000,000+ Life cycles

4 SIZES – 1 BOX

Both Spacers Included!

1/2" 1/4" 1/8"



Voltage	Pull In/Holding Current/Amps	Duty	Sound
12DC	0.500/0.178	Intm./Cont.	Silent
16DC	0.385/0.131	Intm./Cont.	Silent
24DC	0.255/0.084	Intm./Cont.	Silent

Install Securely with our Patented 6-pin Anchoring System.

Fits in tight installs like glass.



NOTE: 1/4" Spacer plate NOT sold separately.

Price:

4850-32D (Satin Stainless Steel – BHMA630)

The following finishes are:

- 4850-US3 (Bright Brass – BHMA605)
- 4850-US4 (Satin Brass – BHMA606)
- 4850-US10 (Satin Bronze – BHMA612)
- 4850-US10B (Dark Bronze – BHMA640)
- 4850-32 (Polished Stainless Steel – BHMA629)

UNIVERSAL
POSSIBILITIES

See page 7 for more details

Spacer
Included!

1/8"

3/4"

- Use with surface mounted rim exit devices with up to 1" throw. For use in new or replacement installations in wood or metal door frames.

• NO CUTTING OF THE FRAME

- Built-in electronics automatically allows 11 thru 28 AC and DC Voltage input – with surge and kickback protection.
- Comes with Trines Patented 4-pin Anchoring System.
- Contains a one piece locking mechanism with one Solenoid **less parts mean less problems.**
- Fail-safe/Fail-secure (field selectable).
- Grade 1 strike: 1,500,000+ Life cycles - 3,000 lbs Hold Force

<u>Voltage</u>	<u>Pull In/Hold Amps</u>	<u>Duty</u>	<u>Sound</u>
12DC	0.566/0.217	Intm./Cont.	Silent
24DC	0.253/0.099	Intm./Cont.	Silent
12AC	0.509/0.181	Intm./Cont.	Silent
16AC	0.405/0.149	Intm./Cont.	Silent
24AC	0.215/0.087	Intm./Cont.	Silent

Electronics allow for PLUG and PLAY capability

Price:

4800-32D (Satin Stainless Steel – BHMA630)

The following finishes are:

- 4800-US3 (Bright Brass – BHMA605)
- 4800-US4 (Satin Brass – BHMA606)
- 4800-US10 (Satin Bronze – BHMA612)
- 4800-US10B (Dark Bronze – BHMA640)
- 4800-32 (Polished Stainless Steel – BHMA629)

4800-SS (Additional 1/8" steel spacer)

See page 7 for more details

4801 "THE BOLT STRIKE" LATCHBOLT MONITORING



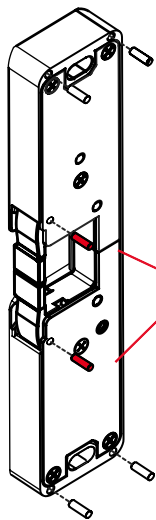
4801

- For use with the Yale Squarebolt® or Corbin Russwin Securebolt™ in new or replacement installations with wood or metal door frames.

- Use with surface mounted rim device with up to **1" throw**.

- Cavity Opening -
Height: 1 17/32"
Width: 1 5/32"

- **6-Pin Anchor system** provided to handle the toughest installations.

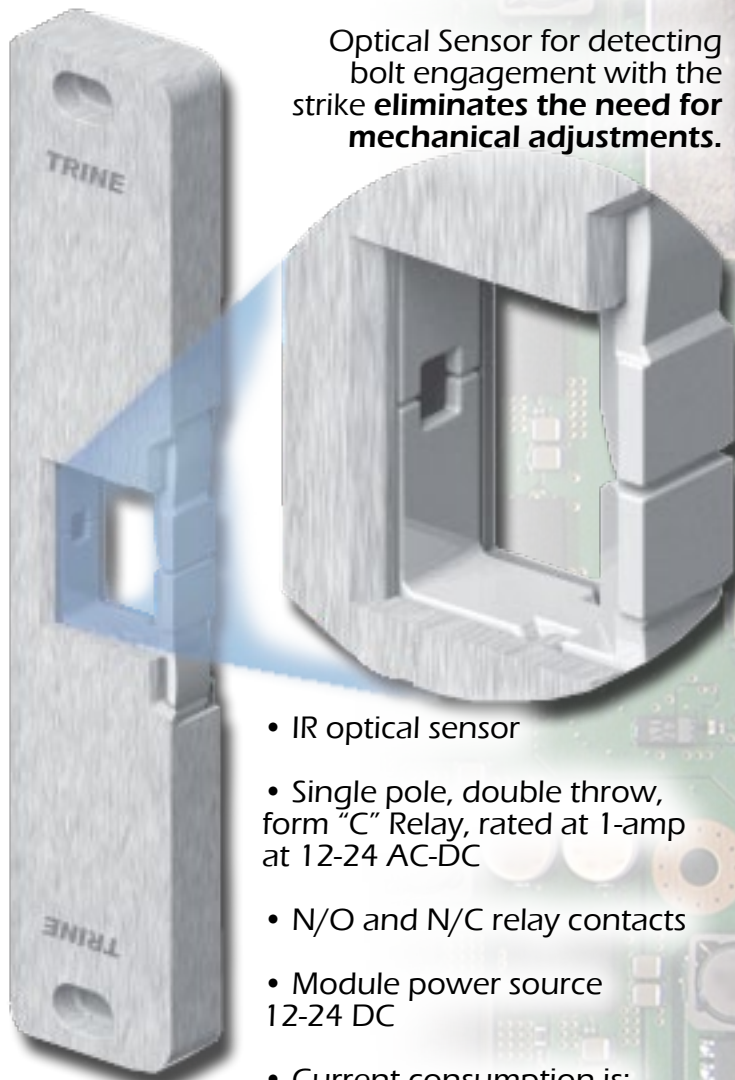


***Must Install
2 middle
pins on the
4801/4801LB**



LATCH BOLT MONITORING

Optical Sensor for detecting bolt engagement with the strike **eliminates the need for mechanical adjustments.**



- IR optical sensor
- Single pole, double throw, form "C" Relay, rated at 1-amp at 12-24 AC-DC
- N/O and N/C relay contacts
- Module power source 12-24 DC
- Current consumption is:
12v: standby 12.7ma
activate 22.8ma
24v: standby 19.4ma
activate 34.4ma

Price:

4801-32D (Satin Stainless Steel – BHMA630)

The following finishes are:

- 4801-US3 (Bright Brass – BHMA605)
- 4801-US4 (Satin Brass – BHMA606)
- 4801-US10 (Satin Bronze – BHMA612)
- 4801-US10B (Dark Bronze – BHMA640)
- 4801-32 (Polished Stainless steel – BHMA629)

Price:

Add "LB" to any 4800 Series strike to include Latchbolt Monitoring to the unit.

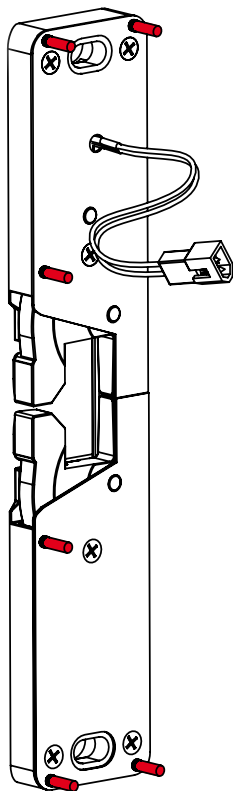
Example: 4800-32D

becomes
4800**LB**-32D

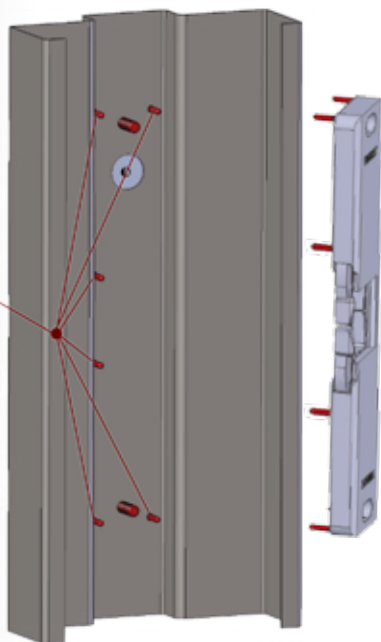
**THE 4850LB AVAILABLE
IN JUNE 2011**

PATENTED 6-PIN ANCHORING SYSTEM

- Included in every 4800 series strike.
- Prevents strike from shifting on the frame for the most secure installations.
- Use the included spacer plate as a guide when mounting the Anchoring System.
- Two new center pins suggested for installs in high traffic locations.

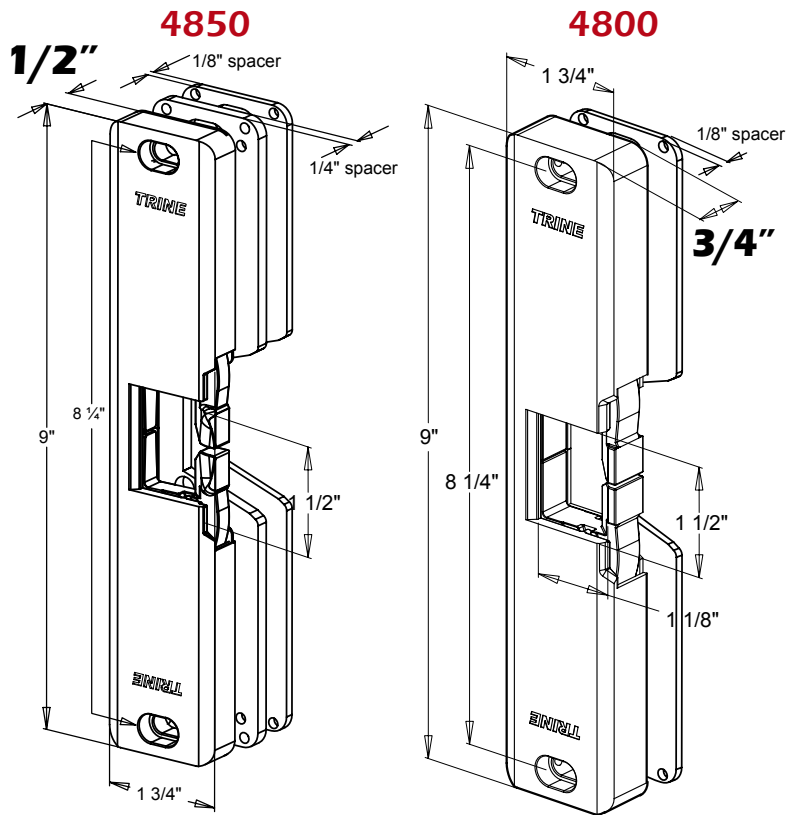


- The Anchoring System provides six additional points of connection and helps you to handle the toughest installations.



- This brings the 4850 to a total 8 points of connection between the frame and strike. **All at your choosing.**

DIMENSIONS



4800 SERIES ACCESSORIES

MWH-5

REMOVABLE MULLION WIRE HARNESS FOR 4800 SERIES ELECTRIC STRIKES

Contains:

- (1) 5' Wire for mullion with male/female connectors.
- (1) Male connector.
- (1) Female connector.
- (4) Wire caps.
- (1) Wire tie.
- (1) Mullion cap.
- (1) Wire adhesive.

4850-AK: ACCESSORIES KIT

Contains:

- (1) Fail safe Plunger.
- (6) Anchoring pins.
- (2) Wire caps.
- (1) Fail safe cam.
- (1) Wire connector.
- (2) Mounting Screws.

4800-AK: ACCESSORIES KIT

Contains:

- (1) Fail safe Plunger.
- (1) Wire connector.
- (2) Mounting Screws.
- (6) Anchoring pins.
- (2) Wire caps.

4800-SS: 1/8" SPACER PLATE

EN SERIES

TRINE
ACCESS TECHNOLOGY

FIRE



**UL 3-HOUR
FIRE
RATING**

WATER



**ONLY UL
OUTDOOR
RATED
STRIKE
IN THE
INDUSTRY**

**EN400
WORKS ANYWHERE**

SIMPLE DESIGN – UNPARALLELED CONSTRUCTION

- Strike contains **ONLY 8 total parts**.
- **Only 1 moving part** in the locking mechanism.
- **All Stainless Steel construction**.
- **Superior Strength** - 2,000+ lbs - (UL) tested.
- **Superior Life** - 1,000,000+ cycles.
- **Superior Application** - (UL) Outdoor rating allows the strike to be used anywhere - especially good for gates.

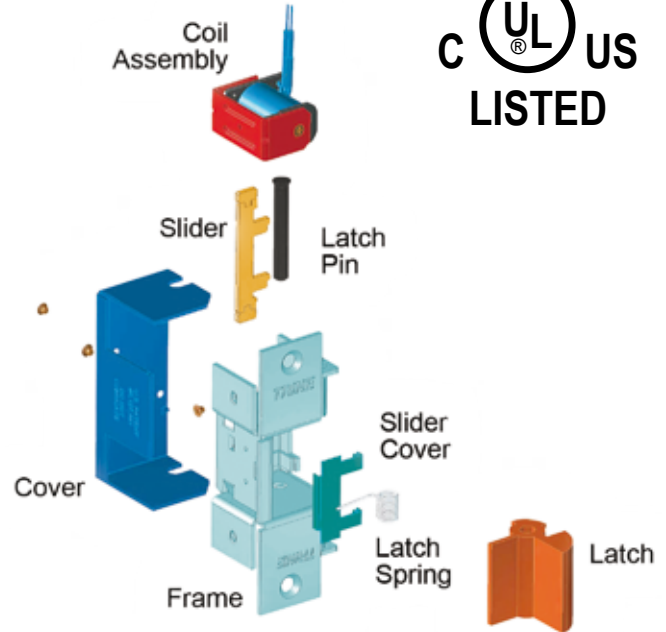
Key Features

- One locking mechanism - 8 parts.
- Fail secure/Fail safe is **field reversible on DC units** (except on 430 & 435 models).
- Durability of 1,000,000+ life cycles
- A holding force of 2,000+ lbs – (UL) Tested!
- Left and Right handing is field reversible (except on 430 & 435 models)
- Units installs flush with face of the frame

Standards

- (UL) Listed 10C - Fire-rated
- Class A, 3-hour, single swing door (except on 800 & 850 models)
- (UL) Listed 1034 -
Indoor/Outdoor Burglary Resistant
- BHMA 156.31 2001, Grade 1
- NYC MEA 79-01-E

See page 13 for more 



Electric Characteristics

<u>Voltage</u>	<u>Current/Amps</u>	<u>Ohms</u>	<u>Duty</u>	<u>Sound</u>
12AC	0.70	4.5	Intm.	Buzz
24AC	0.37	18.0	Intm.	Buzz
12DC	0.28	43.0	Intm./Cont.	Silent
24DC	0.15	164.0	Intm./Cont.	Silent

Wire Lead Color Codes

<u>Voltage</u>	<u>Wire Colors</u>
12AC	1 - Blue, 1 - Orange/White
24AC	1 - Blue, 1 - Black/White
12DC	2 - Orange/White
24DC	2 - Black/White

Ordering an EN strike

Please provide us with the following information so we can be sure you receive the strike you need.

Model # – Voltage – Finish – Handing
example: EN400 12DC 32D RH

Fail Safe Request: Please add “RS” to order

ONLY OUTDOOR RATED STRIKES EN SERIES



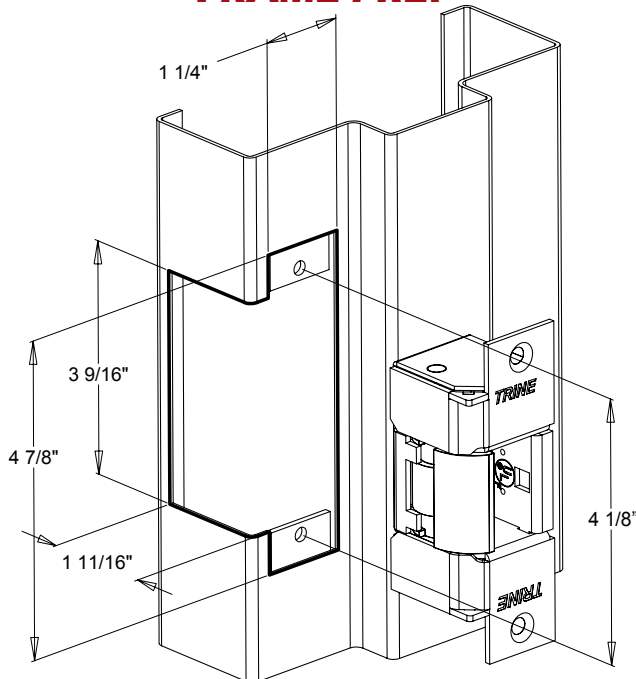
EN400 - For new or replacement installations in **wood** or **metal jambs**. Use with mortise exit devices, mortise locks without dead bolts and cylindrical locksets with up to 7/8" throw, based on 1/8" door gap.

- Face Plate 4-7/8" x 1-1/4"
- Mortise Backset 1-11/16"
- Cavity Depth 7/8"
- Cavity Width 3/4" (Latch Shim Kit Provided)
- Cavity Height 1-1/2"
- Perfect for **exterior doors and gates**.
Works with Item # EN400-GATEBOX ✦
See page 13 for more information.
- Field reversible handing – remember to pick a specific hand when ordering to save time.



EN400

EN400 FRAME PREP



Price:

EN400-32D (Satin Stainless Steel – BHMA630)

The following finishes are:

- EN400-US3 (Bright Brass – BHMA605)
- EN400-US4 (Satin Brass – BHMA606)
- EN400-US10 (Satin Bronze – BHMA612)
- EN400-US10B (Dark Bronze – BHMA640)
- EN400-26 (Bright Chrome – BHMA651)



(Left handed strike shown)

EN430 - CAVITY CENTERLINE OFFSET 1"

For new or replacement installations in **metal jambs**. Use with **mortise lock latchbolts** with up to 7/8" throw without relocating centerline. Based on 1/8" door gap.

Face Plate 4-7/8" x 1-1/4" – Cavity Centerline Offset 1" – Mortise Backset 1-3/4" Cavity Depth 7/8" – Cavity Width 1" (**Latch Shim Kit Provided**) – Cavity Height 1-1/2"

Designed to work with Schlage L Series, Sargent 7700, 8100, & Yale 8700

Specify LH or RH when ordering.

Price:

EN430-32D
(Satin Stainless Steel – BHMA630)

Price of the following:

- EN430-US3 (Bright Brass – BHMA605)
- EN430-US4 (Satin Brass – BHMA606)
- EN430-US10 (Satin Bronze – BHMA612)
- EN430-US10B (Dark Bronze – BHMA640)
- EN430-26 (Bright Chrome – BHMA651)



(Left handed strike shown)

EN435 - CAVITY CENTERLINE OFFSET 3/4"

For new or replacement installations in **metal jambs**. Use with **mortise lock latchbolts** with up to 7/8" throw without relocating centerline. Based on 1/8" door gap.

Face Plate 4-7/8" x 1-1/4" – Cavity Centerline Offset 3/4" – Mortise Backset 1-3/4" Cavity Depth 7/8" – Cavity Width 1" (**Latch Shim Kit Provided**) – Cavity Height 1-1/2"

Designed to work with Arrow, Falcon, Sargent 7800, 8200, 9200, Yale 8800

Factory tested by Best® to work with the 45H Series

Specify LH or RH when ordering.

Price:

EN435-32D
(Satin Stainless Steel – BHMA630)

Price of the following:

- EN435-US3 (Bright Brass – BHMA605)
- EN435-US4 (Satin Brass – BHMA606)
- EN435-US10 (Satin Bronze – BHMA612)
- EN435-US10B (Dark Bronze – BHMA640)
- EN435-26 (Bright Chrome – BHMA651)



EN800 – GREAT FOR OUTDOOR GATES

For new or replacement installations in wood or metal single door jambs. Use with **surface mounted rim exit devices** with up to 1" throw. 3/4" thick face plate.

Face Plate 9" x 1-11/16 x 3/4" – Semi-Mortise Backset 1-9/16" – 45° Beveled Face Plate – Auxiliary Ramp 3-3/8" – 1/8" Horizontal Adjustment on Mechanism – 1/4" Horizontal Adjustment on Face Plate Mounting Holes – Cavity Depth 1-1/8" – Cavity Width 3/4" – Cavity Height 1-1/2"

(Not UL 10C Listed)

Price:

EN800-32D
(Satin Stainless Steel – BHMA630)

Price of the following:

- EN800-US3 (Bright Brass – BHMA605)
- EN800-US4 (Satin Brass – BHMA606)
- EN800-US10 (Satin Bronze – BHMA612)
- EN800-US10B (Dark Bronze – BHMA640)
- EN800-26 (Bright Chrome – BHMA651)



EN850 – GREAT FOR OUTDOOR GATES

For new or replacement installations in wood or metal single door jambs. Use with **surface mounted rim exit devices** with up to 1" throw. 1/2" Thick Faceplate.

Face Plate 9" x 1-11/16 x 3/4" – Semi-Mortise Backset 1-9/16" – 45° Beveled Face Plate – Auxiliary Ramp 3-3/8" – 1/8" Horizontal Adjustment on Mechanism – 1/4" Horizontal Adjustment on Face Plate Mounting Holes – Cavity Depth 1-1/8" – Cavity Width 3/4" – Cavity Height 1-1/2"

(Not UL 10C Listed)

Price:

EN850-32D
(Satin Stainless Steel – BHMA630)

Price of the following:

- EN850-US3 (Bright Brass – BHMA605)
- EN850-US4 (Satin Brass – BHMA606)
- EN850-US10 (Satin Bronze – BHMA612)
- EN850-US10B (Dark Bronze – BHMA640)
- EN850-26D (Bright Chrome – BHMA651)

ONLY OUTDOOR RATED STRIKES CONTINUED



*** * * EN900/900W HAS BEEN DISCONTINUED * * ***



EN950 – FITS FOLGER ADAMS® 310-2 CUTOUT

For new or replacement installations in metal or wood jambs. Use with mortise exit devices, mortise locks without deadbolts and cylindrical locksets with up to 7/8" throw. Based on 1/8" door gap.

Face Plate 9" x 1-3/8" – Mortise Backset 1-11/16" – Auxiliary Ramp 3-3/4" – Cavity Depth 7/8" – Cavity Width 3/4" – **(Latch Shim Kit Provided)** – Cavity Height 1-1/2" – 9" Stiffener Plate provided for laminated reinforcement – *See pg 15 for more details

Price:

EN950-32D
(Satin Stainless Steel – BHMA630)

Price of the following:

- EN950-US3
(Bright Brass – BHMA605)
- EN950-US4
(Satin Brass – BHMA606)
- EN950-US10B
(Dark Bronze – BHMA640)
- EN950-26
(Bright Chrome – BHMA651)



EN960 – FITS FOLGER ADAMS® 310-2 3/4" CUTOUT

For new or replacement installations in **metal or wood jambs**. Use with mortise exit devices, mortise locks without deadbolts and cylindrical locksets with up to 7/8" throw. Based on 1/8" door gap.

Face Plate 9" x 1-3/8" – Mortise Backset 2" – Auxiliary Ramp 3-3/4" – Cavity Depth 7/8" – Cavity Width 3/4" – **(Latch Shim Kit Provided)** – Cavity Height 1-1/2" – 9" Stiffener Plate provided for laminated reinforcement – *See pg 15 for more details

Price:

EN960-32D
(Satin Stainless Steel – BHMA630)

Price of the following:

- EN960-US3
(Bright Brass – BHMA605)
- EN960-US4
(Satin Brass – BHMA606)
- EN960-US10B
(Dark Bronze – BHMA640)
- EN960-26
(Bright Chrome – BHMA651)

EN-LB – LATCHBOLT MONITORING



- Remote central station notification
- Local alarm monitoring relay
- Triggering video surveillance & recording systems
- Active relay for trap door systems

IR optical sensor – 4 sensitivity settings for various latch bolt configurations
– Single pole, double throw, Form "C" relay, rated at 1-amp at 12-24 AC/DC
– N/O and N/C relay contacts – Module power source rating of 12-24VDC

Current consumption is:
0.034 amps at 12VDC & 0.045 amps at 24VDC

Price:

Add

To Order: Add "LB" to Model #

Example:
(EN400**LB**-12DC-32D-LH)

EN-LBSM – LATCHBOLT & STRIKE MONITORING



- Latchbolt monitoring information same as EN-LB

IR optical sensor – see EN-LB above for information

- Strike mechanism monitoring detects whether strike is in the locked or unlocked position
- Form C - Single pole double throw (SPDT)

Strike Monitoring Rating:
30DC - 0.1A
125AC - 0.1A

Price:

Add

To Order: Add "LBSM" to Model #

Example:
(EN400**LBSM**-12DC-32D-LH)

MODEL

DESCRIPTION

LC-100

External unit that operates on 11 through 28 AC/DC input and provides inductive kickback and surge protection.

MUST BE USED WITH A 12DC UNIT & WITHIN 15 FEET OF STRIKE

EN-CA-12DC

Coil Assembly (Orange/White Wire Leads)

EN-CA-24DC

Coil Assembly (Black/White Wire Leads)

EN-CA-12AC

Coil Assembly (Blue/Orange & White Wire Leads)

EN-CA-24AC

Coil Assembly (Blue/Black & White Wire Leads)

EN-SLR-RS

(1) Fail Safe Slider for 430/435 Units

TRS

(2) Tamper-Resistant Torx #12-24 Screws

EN-TS

Trim Skirt (Not for use with 950 & 960)

BZ-12

	DB @ 1ft	Current
Buzzer for 12 DC Operation	90DB	35mA
Buzzer for 24 DC Operation	90DB	25mA

BZ-24

ESK-1

EN Service Kit:
 (1) Stainless Steel Latch Spring
 (2) PFH 12-24x1" Mounting Screws
 (2) PFH 6-32 x 1/8" Cover Screws
 (2) Wire Nut Caps
 (1) Assembly Pin and Instruction Sheet

EN400-GATEBOX

The Weldable Gate Box Solution

This stainless steel gatebox has been custom designed by Keedex Inc. for use with the EN400 Outdoor rated strike. (Not Painted)

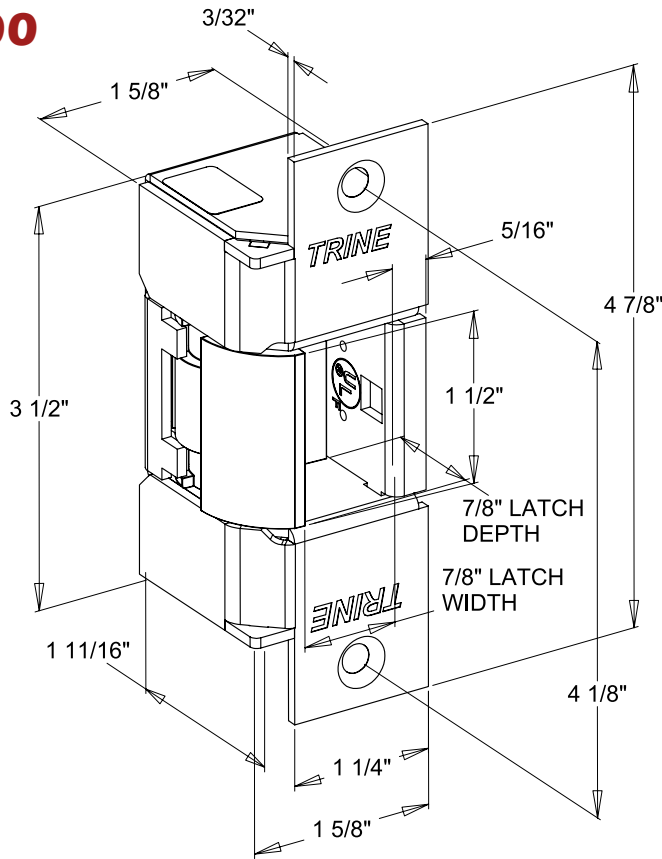
See page 15 for Dimensions



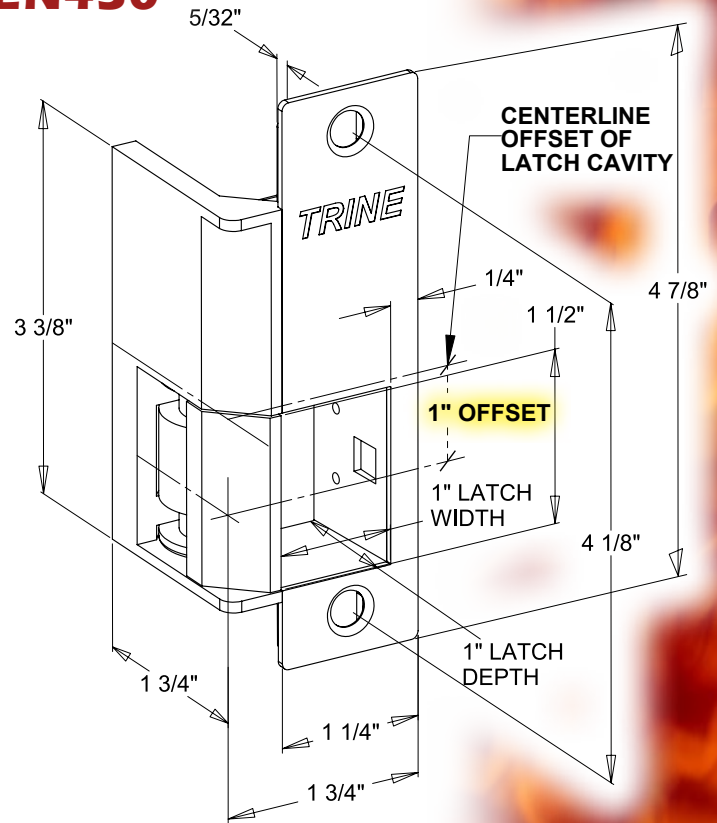
EN PRODUCT DIMENSIONS



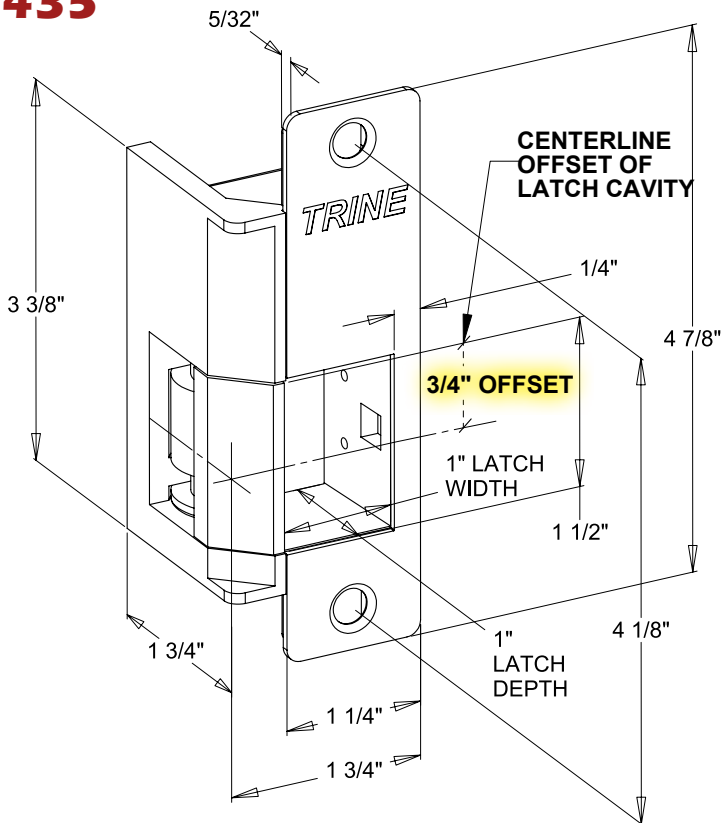
EN400



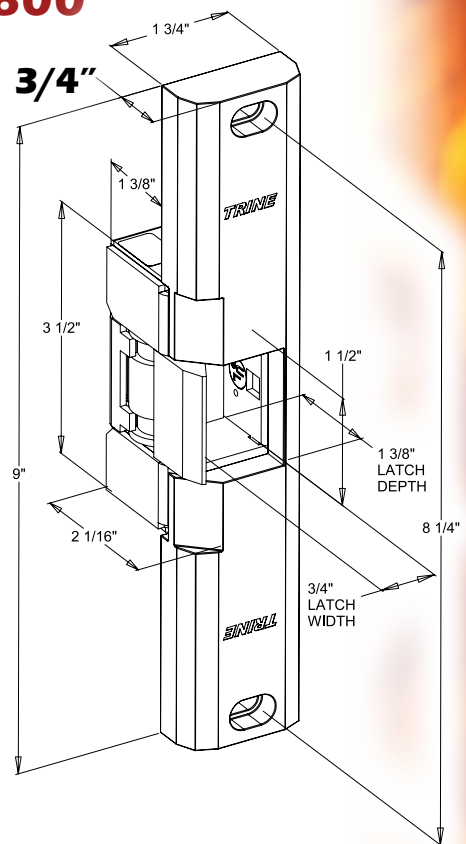
EN430



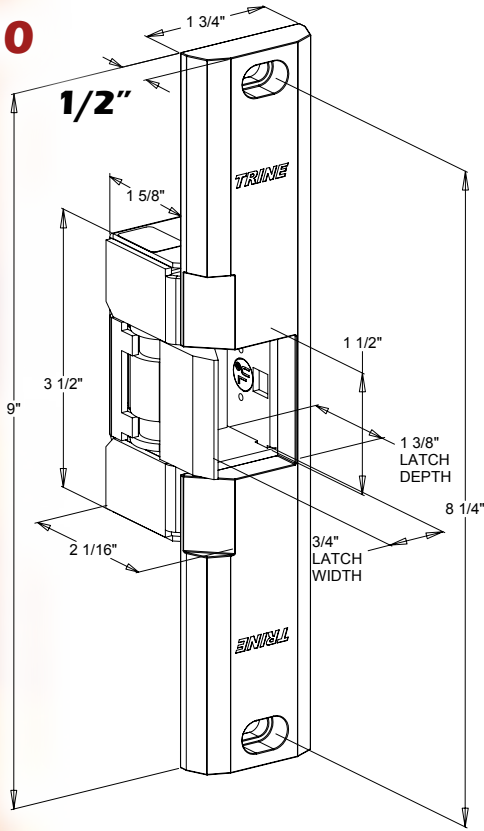
EN435



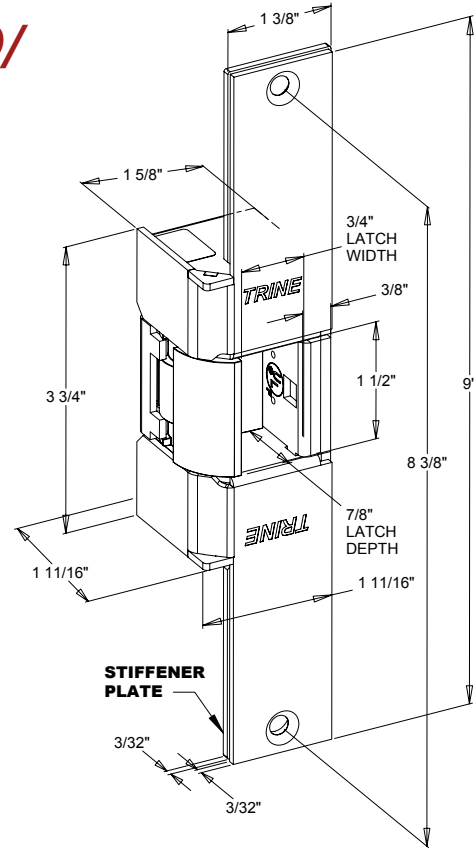
EN800



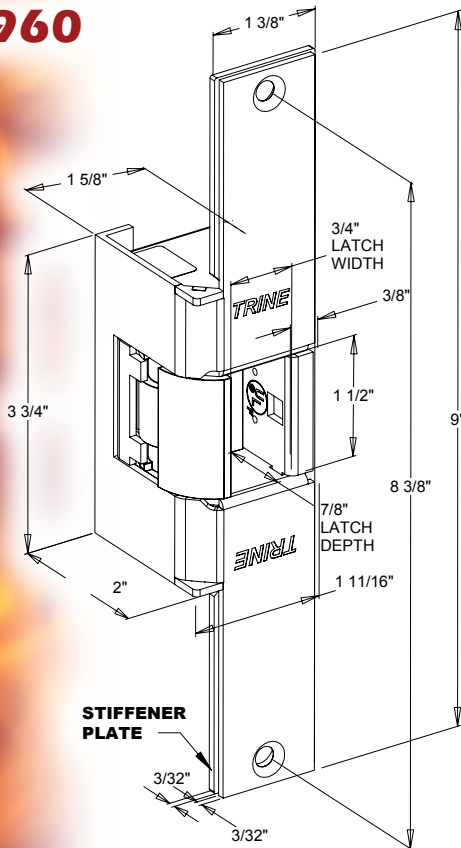
EN850



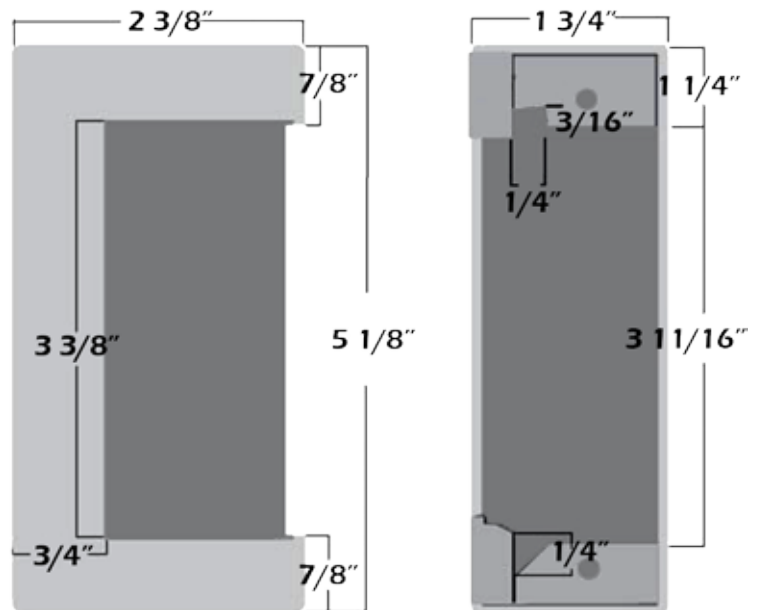
EN950/ 950W



EN960



WELDABLE GATEBOX ITEM#: EN400-GATEBOX



3000 SERIES
ONLY 1" TOTAL BACKSET

TRINE
ACCESS TECHNOLOGY

THE SMALLEST ELECTRIC STRIKE IN THE WORLD



Shown: 3000 Mechanism and 478 Faceplate
with 1/8" horizontal adjustment.

Key Features

- **GRADE 1**
- 500,000 + life cycles
- 1,500 + lbs. holding force (1,200 lbs. for 334, 3234W)
- Dynamic Force 70 ft/lb.
- Solid stainless steel latch and locking mechanism
- **Accepts a bolt up to 5/8" throw**
- Non-handed (except 458)
- Fail secure - standard action (unlocks with power)
- Fail safe - "RS" (locks with power)
- Included spacers increase cavity depth up to 1/8"

Standards

- BHMA - A156.31, 2001
- BHMA Grade 1 - All models (except 334 & 3234W)
- BHMA Grade 2 - 334 & 3234W

LC100

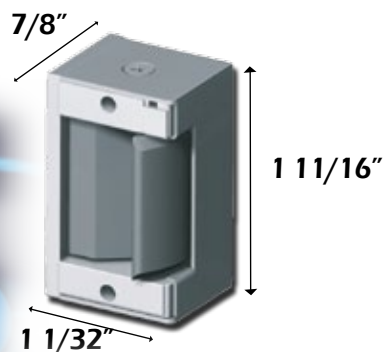
This Model utilizes an external line conditioner (LC100) module to regulate input voltages, 11-28 AC or DC, and conditions the output for the pull-in activation period. Then reduces holding voltage output for continuous operation and reduced heat. The LC100 provides current and voltage surge protection and kickback protection

Options

- Piezo Buzzer for "Standard Models"
- BZ-12: Audible buzzer for 12DC power
 - BZ-24: Audible buzzer for 24DC power
- Piezo Buzzer for "LC Models"
- BZ-6: Audible buzzer for 6DC power

VOLTAGE	CURRENT/AMPS	OHMS	DUTY	SOUND	WIRE COLOR	MODEL
12VDC	.480	25	Intm.	Silent	Blue	3012
24VDC	.240	100	Intm.	Silent	White	3024

VOLTAGE	PULL IN/HOLD AMPS	OHMS	DUTY	SOUND	WIRE COLOR	MODEL
12VDC	.743/.298	13	Intm./Cont.	Silent	Red	30LC/30RS
12VAC	.715/.277	13	Intm./Cont.	Silent	Red	30LC/30RS
24VDC	.397/.170	13	Intm./Cont.	Silent	Red	30LC/30RS
24VAC	.378/.173	13	Intm./Cont.	Silent	Red	30LC/30RS



3000 Mechanism and LC Unit (Line Conditioner)

Item	Voltage	Funtion	Duty
30LC	12-24AC/DC	Fail Secure	Cont.
30RS	12-24AC/DC	Fail Safe	Cont.

Accepts up to a 5/8" throw with faceplate and a 1/8" gap.

Model	Volatge	Funtion	Duty
3012	12DC	Fail Secure	Intm.
3024	24DC	Fail Secure	Intm.



NEW
Designed so a 1" Drill bit can be used to hide unit.

323478LC KIT UNIVERSAL ANSI SOLUTION



323478LC INCLUDES

One 234-26D Faceplate, One 478-32D Faceplate, One 30LC unit. See individual items for details.



478-32D

Patented horizontal adjustment feature
– Guaranteed **not** to move!



234-26D

Smallest electric strike faceplate in the world!



30LC Unit



Note: Purchase another 30LC to use with the other faceplate.



COMPARE AESTHETICS

THEIR UGLY BLACK RAMP
– The one that everyone has come to expect when using electric strikes.

TRINES AXION 3478 -
Looks like a traditional "Strike Plate" One piece of stainless steel – ALL ONE COLOR

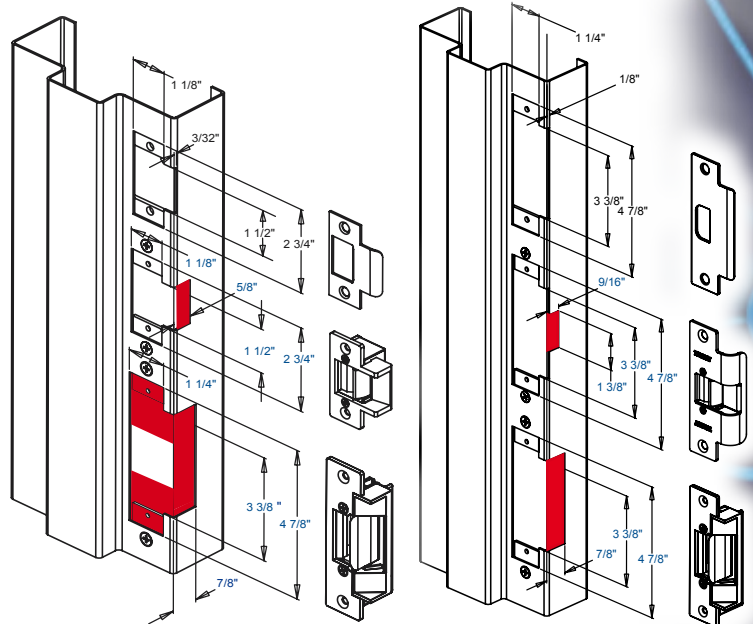


COMPARE CUTTING

Top: Standard Door Strike Plate

Middle: **Trines 323478LC Faceplates Require up to 80% less cutting**

Bottom: Their strike requires extensive cutting of the frame.





234 Faceplate - Smallest Electric Strike in the World

For new or replacement installations in metal frames. Use with cylindrical locksets having up to 5/8" throw, based on 1/8" door gap.

See page 22-27 for more details.

Price:

234-US3
(Bright Brass – BHMA605)
234-US4
(Satin Brass – BHMA606)
234-US10B
(Dark Bronze – BHMA640)
234-26D
(Bright Chrome – BHMA651)



234X-375 Extended Faceplate

Standard ANSI prep features an extended ramp to accomodate additional face of Timely frames (or similar). Ramp is extended 3/8". For new or replacement installations. Use with cylindrical locksets having up to 5/8" throw, based on 1/8" door gap.

See page 22-27 for more details.

Price:

234X-375-US3
(Bright Brass – BHMA605)
234X-375-US10B
(Dark Bronze – BHMA640)
234X-375-26D
(Bright Chrome – BHMA651)

Great on wood frames!



258 Faceplate

80% less frame cutting when compared to typical 4 7/8" electric strike installations. For new or replacement installations in aluminum frames. Use with 4510, 4710 & 4750 Adams Rite® dead latches. Replaces 4502 strike plate with slight modification.

See page 22-27 for more details.

Price:

258-US10B
(Dark Bronze – BHMA640)
258-26D
(Satin Chrome – BHMA651)



258RD Radiused Faceplate

80% less frame cutting when compared to typical 4 7/8" electric strike installations. For new or replacement installations in aluminum doors. Use with 4510, 4710 & 4750 Adams Rite® dead latches. Replaces 4502 strike plate with slight modification.

See page 22-27 for more details.

Price:

258RD-US10B
(Dark Bronze – BHMA640)
258RD-26D
(Satin Chrome – BHMA651)



334 Faceplate

For new or replacement installations in wood frames. Use with cylindrical locksets with up to 5/8" throw, based on 1/8" door gap.

See page 22-27 for more details.

Price:

334-US3
(Bright Brass – BHMA605)
334-US4
(Satin Brass – BHMA606)
334-26D
(Satin Chrome – BHMA651)

3000 SERIES FACEPLATES CONTINUED...



Right Handed Shown



458 Faceplate

80% LESS FRAME CUTTING. Fills the frame preparation of Adams Rite® MS Locks without relocating tabs for 6 7/8" electric strikes. For new or replacement installations in aluminum frames. Replaces Adams Rite® 4730/4501 strike plate with slight frame modification.

See page 22-27 for more details.

Price:

458-US10B

(Dark Bronze – BHMA640)

458-32D

(Satin Stainless Steel – BHMA630)

Must Specify Handing!



478 – The Adjustable Ansi Faceplate

Upgraded: 1/8" Horizontal adjustment feature.*

For new or replacement installation in wood, metal or aluminum frames. Use with cylindrical locksets having up to 5/8" throw, based on 1/8" door gap.

60% LESS CUTTING of Frame Face for ANSI 4 7/8" pre-prep frames.

No ugly black ramp!

***Guaranteed to never move.**

See page 18, 22-27 for more details.

Price:

478-US3

(Bright Brass – BHMA605)

478-US4

(Satin Brass – BHMA606)

478-US10B

(Dark Bronze – BHMA640)

478-32

(Polished Stainless Steel) – BHMA651)

478-32D

(Satin Stainless Steel – BHMA630)

RD (Radiused Corners)

478RO (right offset) Shown



478LO / 478RO Faceplate

60% LESS FRAME CUTTING of Frame Face for ANSI 4 7/8" pre-prep frames. For new or replacement installations in wood, metal or aluminum frames. The strike opening on this face plate is **offset by 3/16"** the center to accommodate door sag.

See page 22-27 for more details.

Price:

478-US10B

(Dark Bronze – BHMA640)

478-26

(Bright Chrome – BHMA651)

478-32D

(Satin Stainless Steel – BHMA630)

RD (Radiused Corners)



478X-375 Extended Faceplate

Frame features an extended ramp to accommodate additional face of Timely frames (or similar). Ramp is extended 3/8". For new or replacement installations. Use with cylindrical locksets and deadlatches having up to 5/8" throw**, based on 1/8" door gap. **Provides a finished look for wood frames with trim.**

No ugly black ramp!

See page 18, 22-27 for more details.

Price:

478X-375-US3

(Bright Brass – BHMA605)

478X-375-US10B

(Dark Bronze – BHMA640)

478X-375-32D

(Satin Stainless Steel – BHMA630)

RD (Radiused Corners)

For units on this page:

LC Models – add

:: RS (Fail Safe) Models – add



3234 - Smallest Electric Strike in the World

For new or replacement installations in **metal frames**. Use with cylindrical locksets having up to 5/8" throw, based on 1/8" door gap.

See page 22-27 for more details.

Price:

3234-US3
(Bright Brass – BHMA605)
3234-US4
(Satin Brass – BHMA606)
3234-US10B
(Dark Bronze – BHMA640)
3234-26D
(Satin Chrome – BHMA651)



3234W

For new or replacement installations in **wood frames**. Use with cylindrical locksets with up to 5/8" throw, based on 1/8" door gap.

See page 22-27 for more details.

Price:

3234W-US3
(Bright Brass – BHMA605)
3234W-US4
(Satin Brass – BHMA606)
3234W-26D
(Satin Chrome – BHMA651)



3258

80% LESS FRAME CUTTING when compared to typical 4 7/8" electric strike installations. For new or replacement installations in aluminum frames. Use with 4510, 4710 & 4750 Adams Rite dead latches. Replaces 4502 strike plate with slight frame modification.

See page 22-27 for more details.

Price:

3258-US10B
(Dark Bronze – BHMA640)
3258-26D
(Satin Chrome – BHMA651)



3458

80% LESS FRAME CUTTING. Fills the frame preparation of Adams Rite MS Locks without relocating tabs for 6 7/8" electric strikes. For new or replacement installations in aluminum frames. Replaces Adams Rite 4730/4501 strike plate with slight frame modification.

See page 22-27 for more details.

Price:

3458-US10B
(Dark Bronze – BHMA640)
3458-32D
(Satin Stainless Steel – BHMA630)

Must Specify Handing!



3478 with Adjustable Faceplate

Upgraded: 1/8" Horizontal adjustment feature.*

For new or replacement installation in wood, metal or aluminum frames. Use with cylindrical locksets having up to 5/8" throw, based on 1/8" door gap. **60% LESS CUTTING** of Frame Face for ANSI 4 7/8" pre-prep frames.

See page 22-27 for more details.

***Guaranteed to never move.**

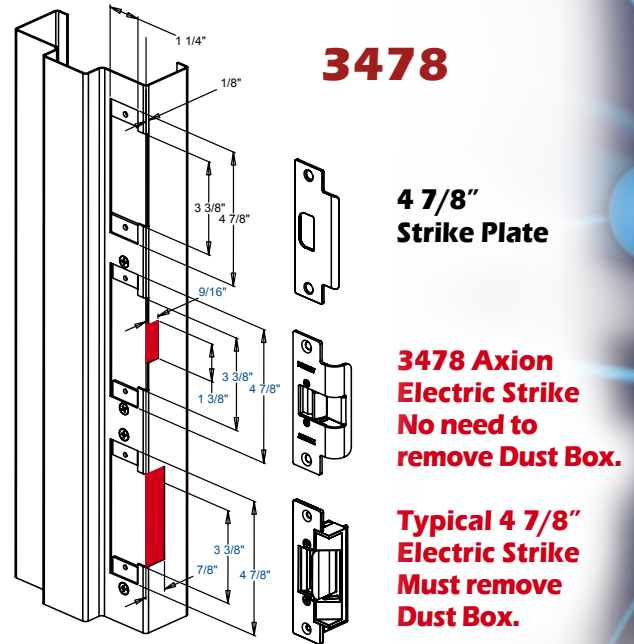
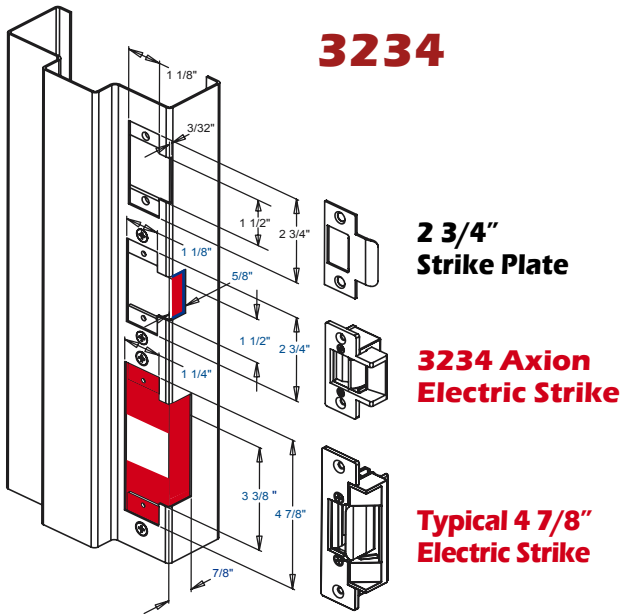
Price:

3478-32D
(Satin Stainless Steel – BHMA630)
3478-US3
(Bright Brass – BHMA605)
3478-US4
(Satin Brass – BHMA606)
3478-US10B
(Dark Bronze – BHMA640)
3478-32
(Polished Stainless Steel – BHMA630)

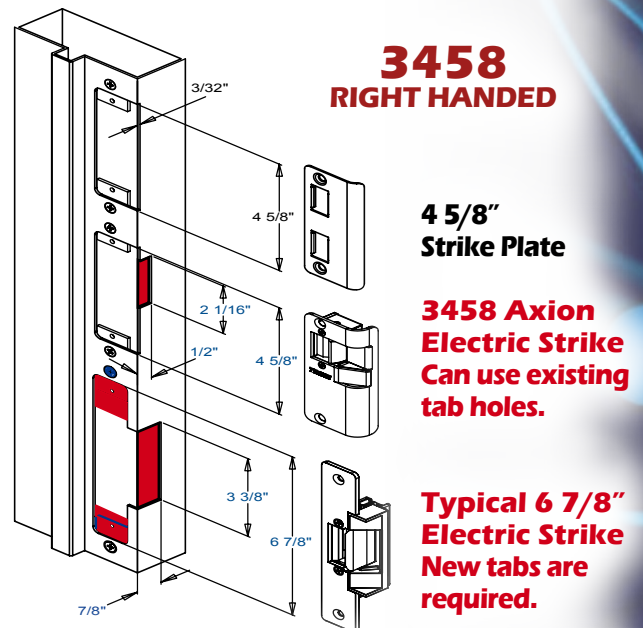
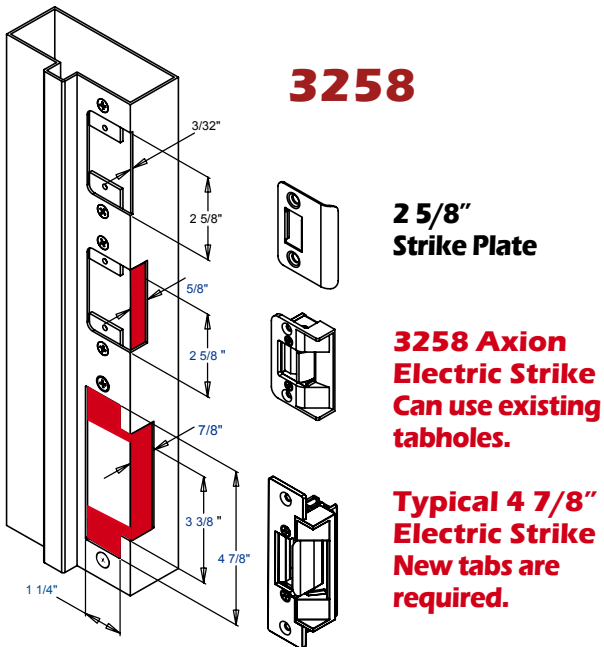
3000 COMPARISON LESS CUTTING IS BETTER



ANSI SOLUTION

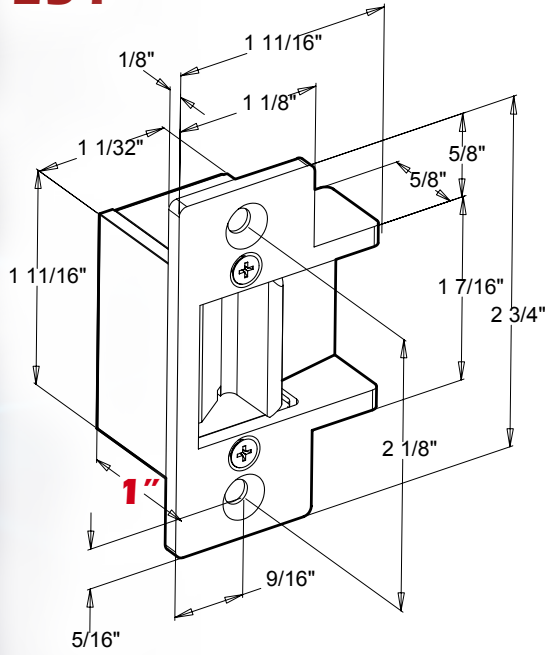


ALUMINUM SOLUTION

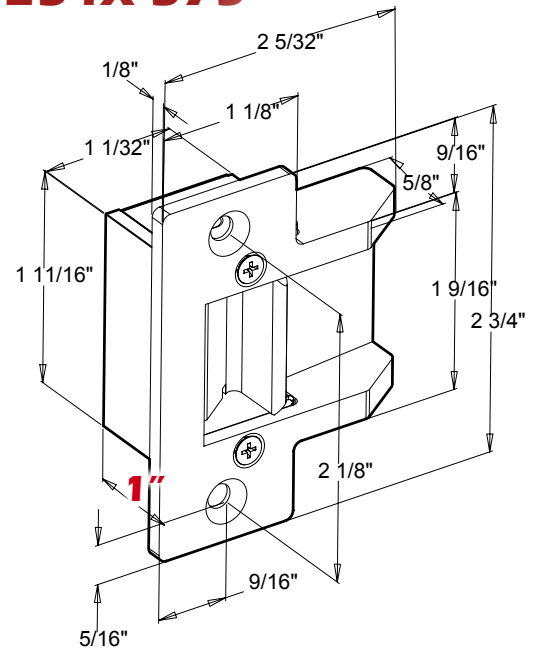


RED ON DIAGRAM = AMOUNT OF CUTTING
3000 SERIES STRIKES REDUCE AMOUNT OF LABOR, TIME, AND MATERIAL LOST ON DOOR FRAME

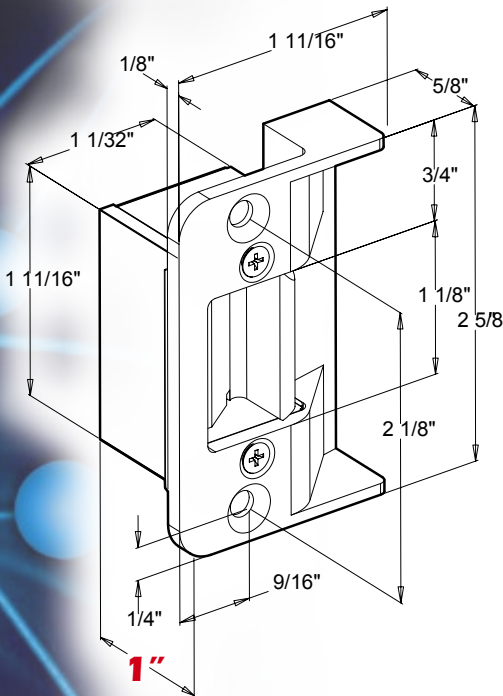
234



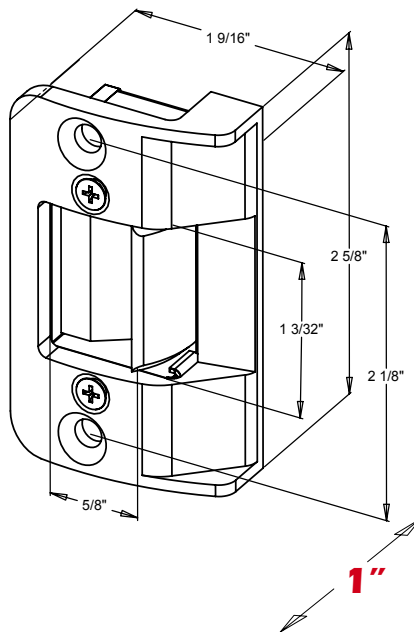
234X-375



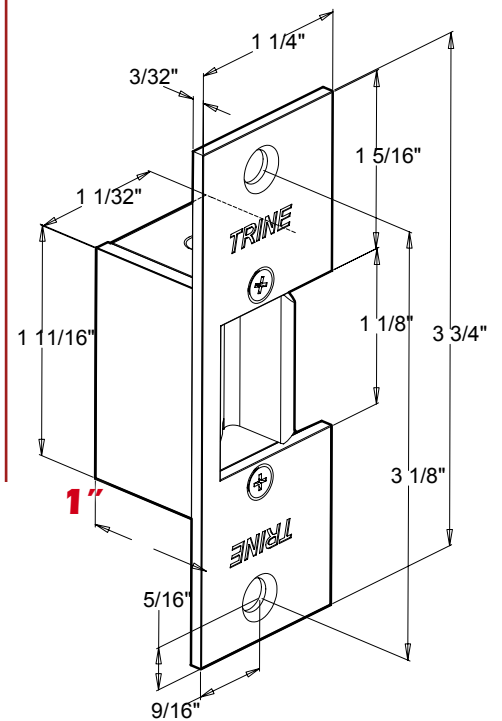
258



258RD



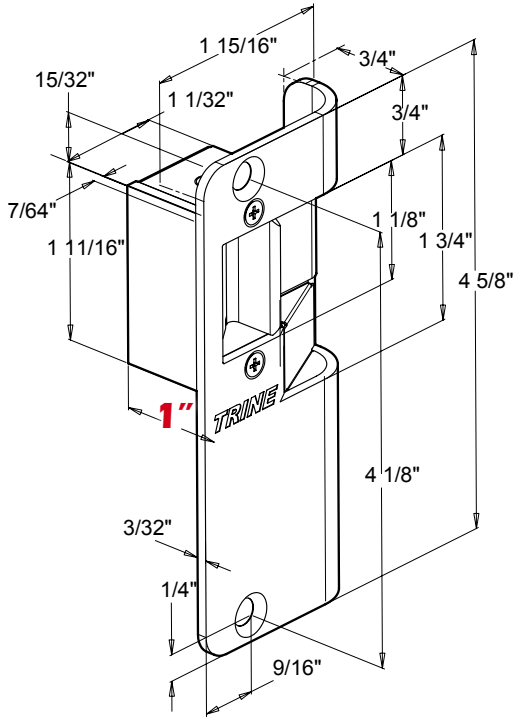
334



3000 SERIES PRODUCT DIMENSIONS CONT.

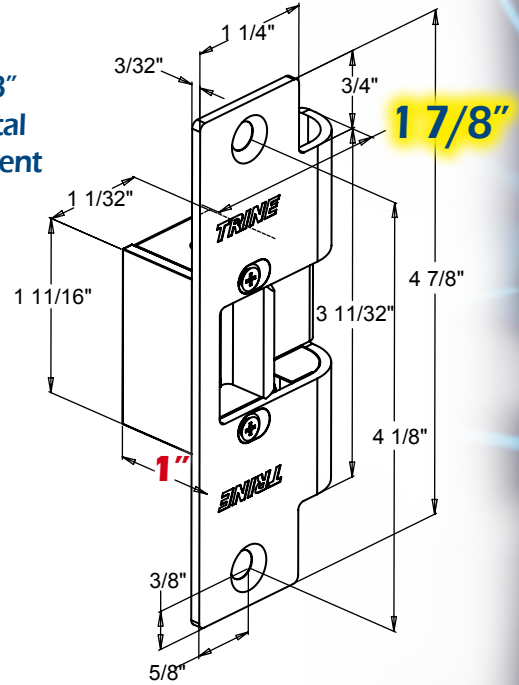


458



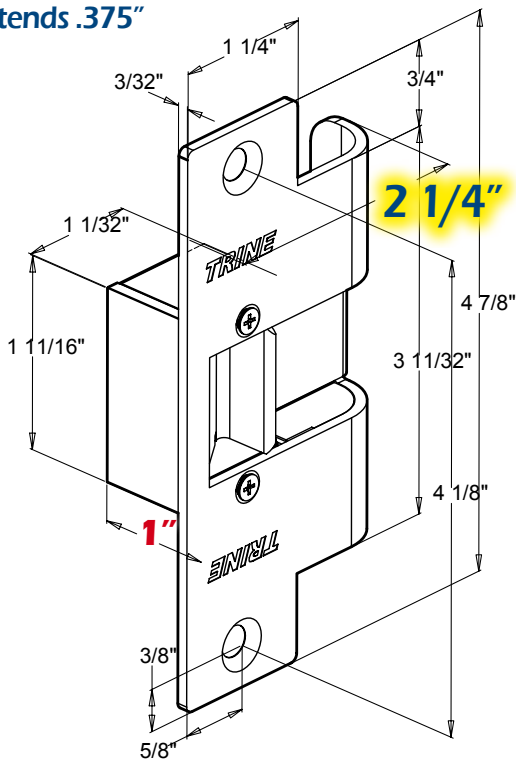
478

With 1/8" Horizontal Adjustment

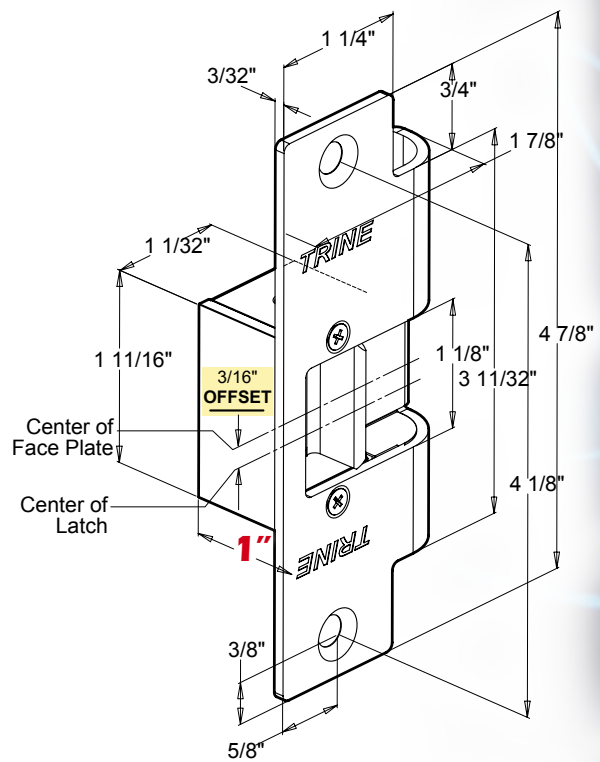


478X-375

Ramp Extends .375"

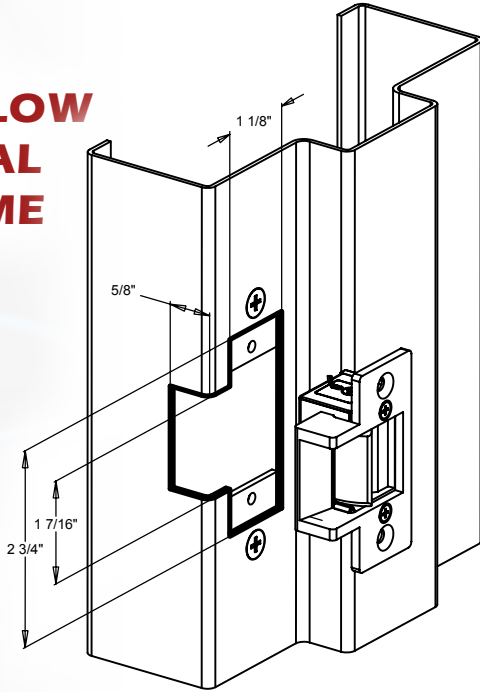


478RO/LO

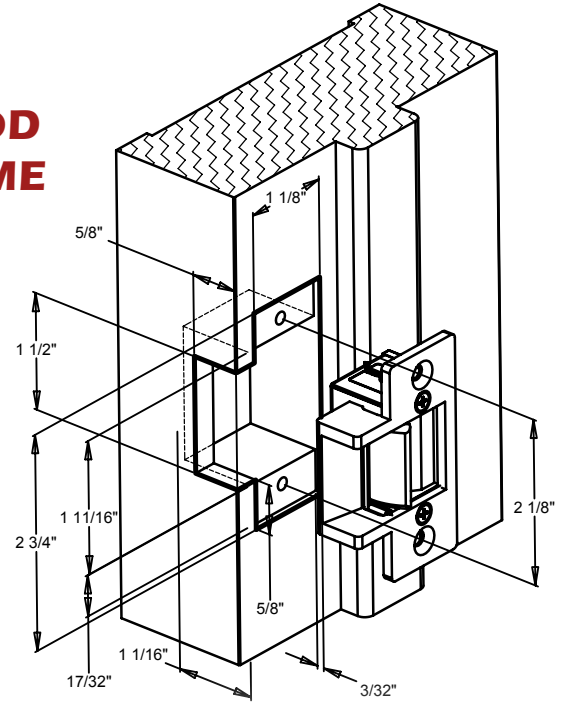


NOTE: RIGHT HAND SHOWN HERE

234 HOLLOW METAL FRAME

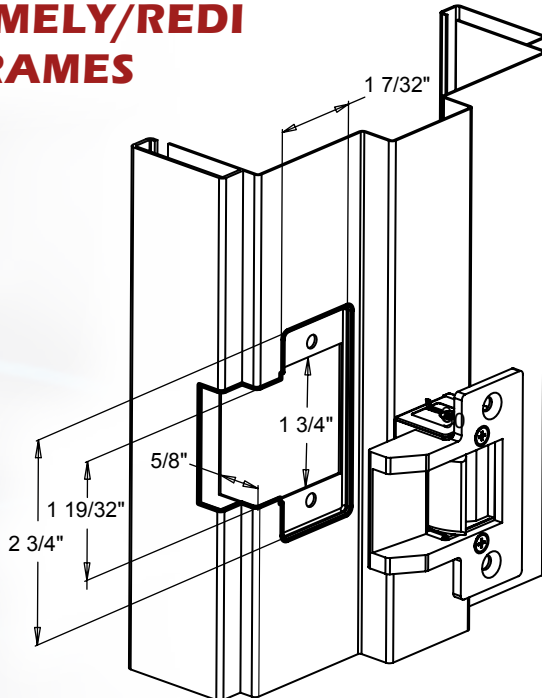


234 WOOD FRAME

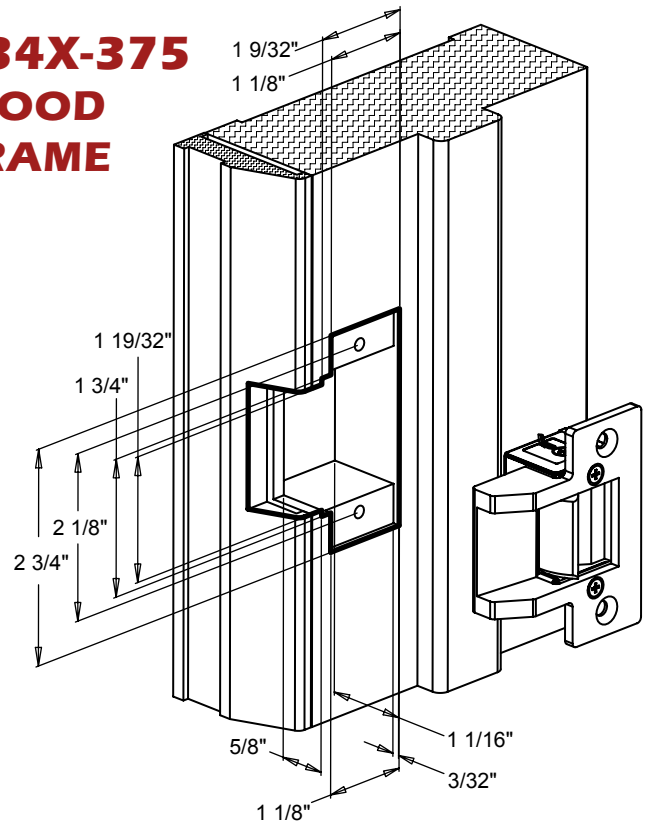


NOTE: USE 2 INCH LONG (OR LONGER) WOOD SCREWS FOR MOUNTING.

234X-375 TIMELY/REDI FRAMES



234X-375 WOOD FRAME

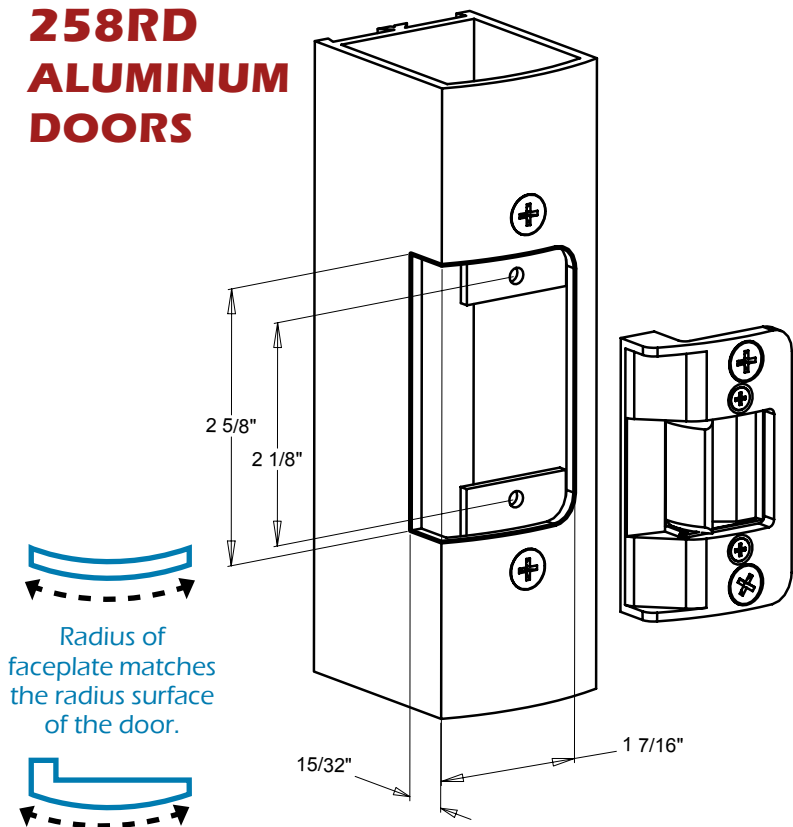


NOTE: USE 2 INCH LONG (OR LONGER) WOOD SCREWS FOR MOUNTING.

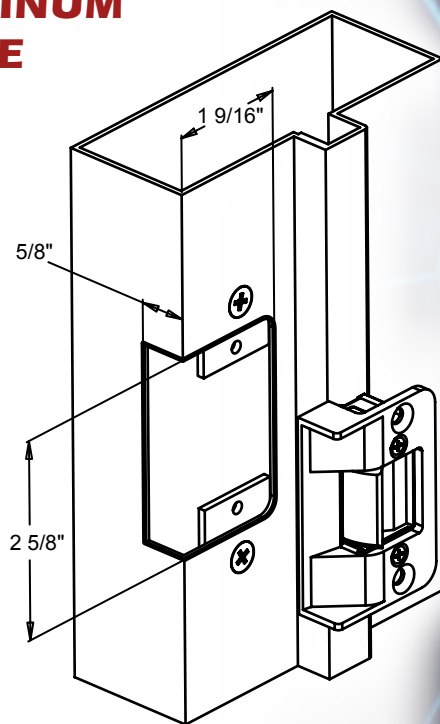
3000 SERIES FRAME PREPS



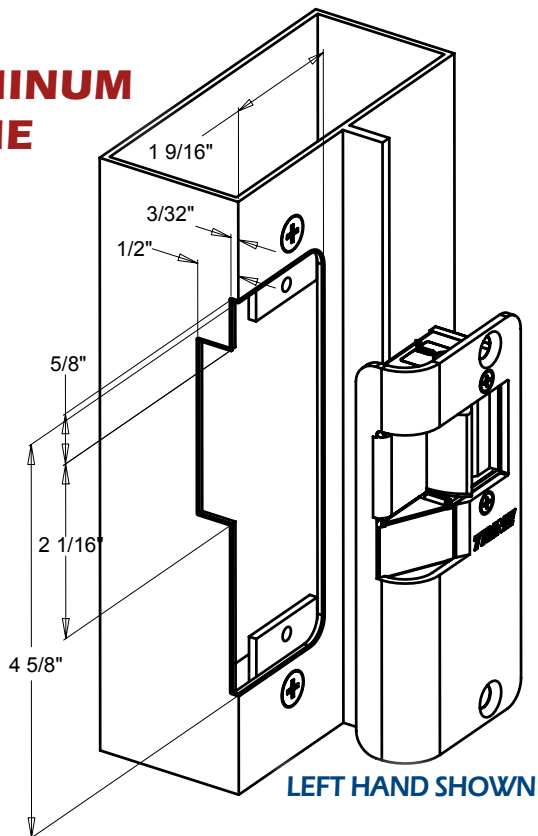
258RD ALUMINUM DOORS



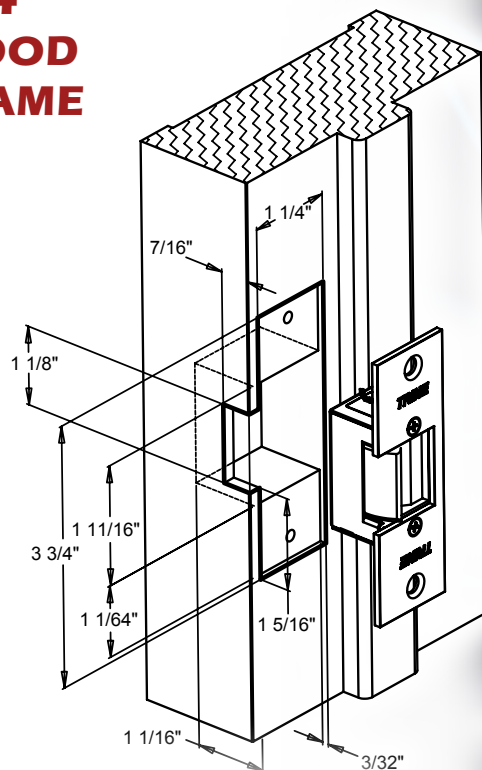
258 ALUMINUM FRAME



458 ALUMINUM FRAME

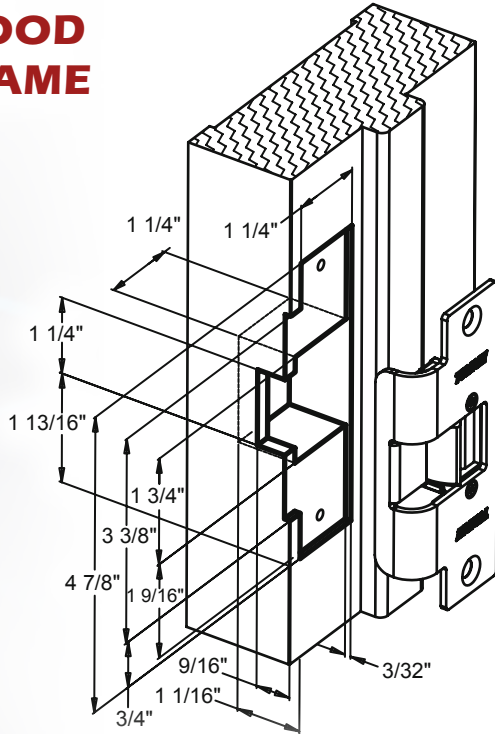


334 WOOD FRAME



NOTE: USE 2 INCH LONG (OR LONGER) WOOD SCREWS FOR MOUNTING.

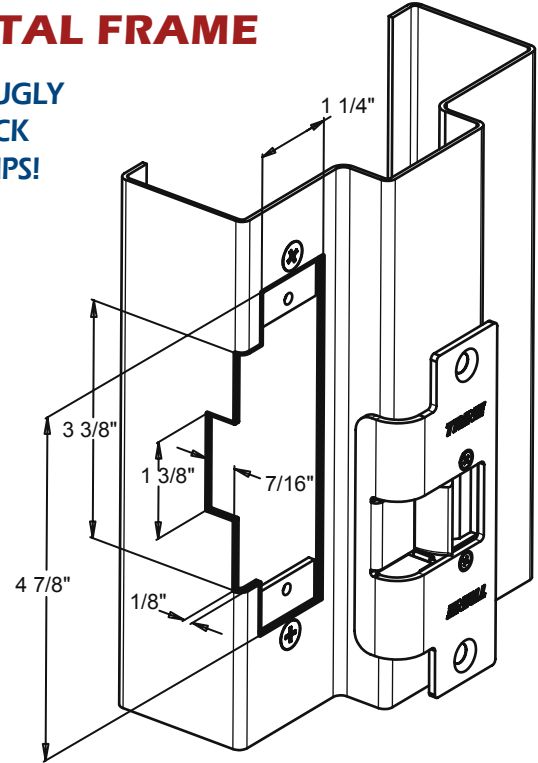
478 WOOD FRAME



NOTE: USE 2 INCH LONG (OR LONGER) WOOD SCREWS FOR MOUNTING.

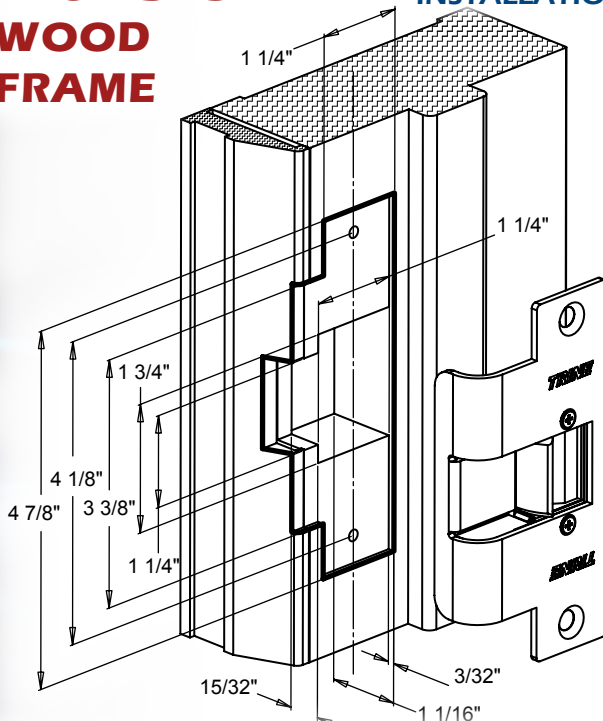
478 HOLLOW METAL FRAME

NO UGLY
BLACK
RAMPS!



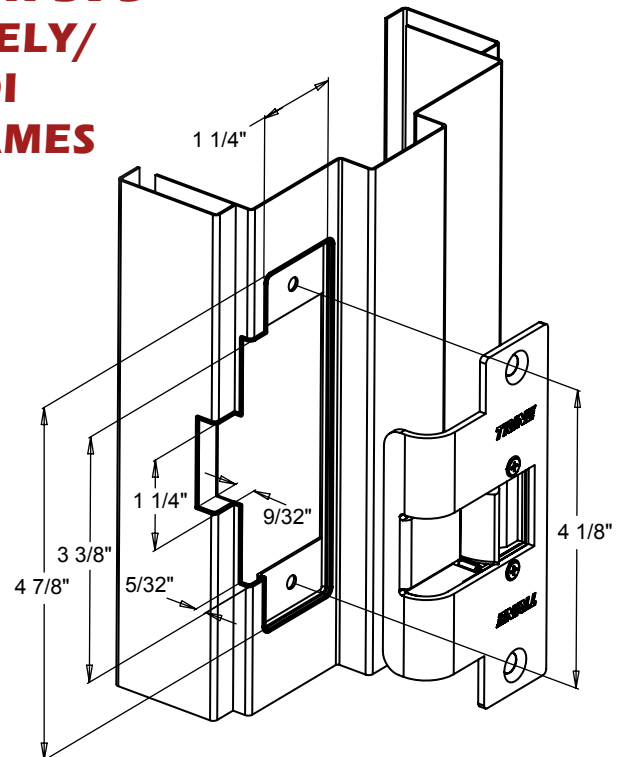
478X-375 WOOD FRAME

BEST LOOKING WOOD
INSTALLATION



NOTE: USE 2 INCH LONG (OR LONGER) WOOD SCREWS FOR MOUNTING.

478x-375 TIMELY/ REDI FRAMES



LIGHT COMMERCIAL STRIKES



**00 SERIES – ANSI 01 SERIES – 1000 SERIES
2000 SERIES ADJUSTABLE SERIES**

LIGHT COMMERCIAL STRIKES

FEATURES

- Durability - 500,000 Life Cycles
- Holding Force - 1000 lbs
- Only 1 Moving Part in Locking Mechanism
- Non Handed Operation
- Heavy Duty Latch Spring
- Fail Secure-Standard Action (Unlocks with Power)

Voltage	Amps	Ohms	Sound	Duty	Wire Color
8-16VAC/4-6VDC	1.3-2.7	1.4	Buzz	Intermittent	Black
12VDC	0.40	30.0	Silent	Continuous	Red/White
24VAC	1.40	4.7	Buzz	Intermittent	Red
24VDC	0.19	125.0	Silent	Continuous	Black/White



001

For use in new or replacement installations in wood and metal jambs.
For use with locksets having up to 5/8" throw, based on 1/8" door gap.

Face Plate 5-7/8" x 1-1/4" – Mortise Backset 1-9/16" – Cavity Depth 1/2"
– Cavity Width 9/16" – Cavity Height 1-1/2"

Price:

001
(Brass Powder Coated)
001C
(Satin Chrome – BHMA652)
RS (Fail Safe)
(on DC only – add "RS" to model #)



002

For use in new or replacement installations in wood and metal jambs Auxiliary lever ramps for use with locksets which contain dead locking levers. Use with locksets having up to 5/8" throw, based on 1/8" door gap.

Face Plate 7-15/16" x 1-7/16" – Auxiliary Ramp 2-7/8" – Mortise Backset 1-9/16" – Cavity Depth 1/2" – Cavity Width 9/16" – Cavity Height 1-1/2"

Price:

002
(Aluminum Powder Coated)
002DB
(Dark Bronze Powder Coated)
RS (Fail Safe)
(on DC only – add "RS" to model #)



003

For surface mount installations on wood or metal jambs for in swinging applications with surface mount. Use with locksets and night latches having up to 5/8" throw, based on 1/8" door gap. When mounted on a pair of doors, strike is mounted to the inactive leaf.

Surface Mount – Case 4-11/16" x 1-1/4" – Cavity Depth 1/2" – Cavity Width 9/16" – Cavity Height 1-1/2"

Price:

003
(Grey Molded Cover)
003-RS (Fail Safe)
(on DC only)



004

For new or replacement installations in wood jambs. Use with locksets with individual deadbolts. **Dead bolts cannot be released electrically.** Use with locksets having up to 5/8" throw, based on 1/8" door gap.

Face Plate 6-1/4" x 1-3/8" – Deadbolt Knockouts Top & Bottom 1-11/16" x 9/16" – Mortise Backset 2-3/4" – Cavity Depth 1/2" – Cavity Width 9/16" – Cavity Height 1-1/2"

Price:

004
(Brass Powder Coated)
004C
(Satin Chrome – BHMA652)
004DB
(Dark Bronze Powder Coated)
RS (Fail Safe)
(on DC only – add "RS" to model #)

LIGHT COMMERCIAL STRIKES



005

For use in replacement installations in wood jambs and iron gates. Use with bored cylindrical locksets having up to 5/8" throw, based on 1/8" door gap.

Face Plate 3-1/2" x 1-3/8" – Mortise Backset 2-3/4" – Cavity Depth 1/2" – Cavity Width 9/16" – Cavity Height 1-1/2"

Price:

005
(Brass Powder Coated)
005C
(Satin Chrome – BHMA652)
RS (Fail Safe)
(on DC only – add "RS" to model #)



HD005

Screwed-on Faceplate and reinforced Latch Pin provide additional strength for HEAVY DUTY installations.

For use in replacement installations in wood jambs and iron gates. Use with bored cylindrical locksets having up to 5/8" throw, based on 1/8" door gap.

Face Plate 3-1/2" x 1-3/8" – Mortise Backset 2-3/4" – Cavity Depth 1/2" – Cavity Width 9/16" – Cavity Height 1-1/2"

Price:

HD005
(Brass Powder Coated)
HD005C
(Satin Chrome – BHMA652)
RS (Fail Safe)
(on DC only – add "RS" to model #)



S005

For use in replacement installations in wood jambs and iron gates. Use with bored cylindrical locksets having up to 3/4" throw, based on 1/8" door gap.

Face Plate 3-1/2" x 1-3/8" – Mortise Backset 2-7/8" – Cavity Depth 5/8" – Cavity Width 23/32" – Cavity Height 1-1/2"

Price:

S005
(Brass Powder Coated)
S005C
(Satin Chrome – BHMA652)
RS (Fail Safe)
(on DC only – add "RS" to model #)



006

For surface mount installations on metal or wood jambs, for in swinging applications. Use with locksets or night latches having up to 5/8" throw, based on 1/8" door gap. When mounted on a pair of doors, strike is mounted to the inactive leaf.

Case 2-1/8" x 1-3/16" – Surface Mounted – Die Cast Housing – Cavity Depth 1/2" – Cavity Width 1/2" – Cavity Height 1-3/8"

Price:

006
(Brass Powder Coated)
006-RS (Fail Safe)
(on DC only)



007

For use in new or replacement installations in wood jambs. Use with locksets having up to 3/4" throw, based on 1/8" door gap.

Face Plate 4-7/8" x 1-1/4" – Mortise Backset 2-7/8" – Cavity Depth 5/8" – Cavity Width 3/4" – Cavity Height 1-1/2"

Price:

007
(Brass Powder Coated)
007C
(Satin Chrome – BHMA652)
RS (Fail Safe)
(on DC only – add "RS" to model #)

LIGHT COMMERCIAL STRIKES

FEATURES

- **Durability - 300,000 Life Cycles**
- Holding Force - 1200 lbs
- Solid Brass Locking System
- Cast Steel Latch
- Heavy Duty Latch Spring
- Solenoid Actuated

Voltage	Current/Amps	Ohms	Sound	Duty
10-16VAC	0.60 - 0.90	10.0	Buzz	Intermittent
12VDC	0.50 - 1.00	10.0	Silent	Continuous
24VAC	0.42	47.0	Buzz	Intermittent
24VDC	0.20	119.0	Silent	Continuous



012

For new or replacement installations in metal jambs. Use with locksets having **up to 5/8" throw**, based on 1/8" door gap.

Face Plate 4-7/8" x 1-1/4" – Mortise Backset 1-5/8" – Cavity Depth 9/16" – Cavity Width 9/16" – Cavity Height 1-1/2"

Price:

- 012 (Brass Powder Coated)
- 012C (Satin Chrome – BHMA652)
- 012DB (Dark Bronze Powder Coated)
- RS (Fail Safe) (on DC only – add "RS" to model #)



S012

For new or replacement installations in metal jambs. Use with locksets having **up to 3/4" throw**, based on 1/8" door gap.

Face Plate 4-7/8" x 1-1/4" – Mortise Backset 1-5/8" – Cavity Depth 5/8" – Cavity Width 3/4" – Cavity Height 1-1/2"

Price:

- S012 (Brass Powder Coated)
- S012C (Satin Chrome – BHMA652)
- S012DB (Dark Bronze Powder Coated)
- RS (Fail Safe) (on DC only – add "RS" to model #)

FEATURES

- Miniature Design
- Die Cast Case
- Solid Cast Latch - Chrome Plated
- Non Handed
- Heavy Duty Latch Spring

Voltage	Current/Amps	Ohms	Sound	Duty
10-16VAC	0.82 - 1.44	6.8	Buzz	Intermittent
12VDC	0.184	65.0	Silent	Continuous
24VAC	0.895	14.0	Buzz	Intermittent
24VDC	0.100	240.0	Silent	Continuous



014

For new or replacement installations in metal jambs. Use with locksets having up to 5/8" throw, based on 1/8" door gap.

Face Plate 2-3/4" x 1-1/8" – Mortise Backset 1-1/4" – Cavity Depth 1/2" – Cavity Width 5/8" – Cavity Height 1-1/8"

Price:

- 014 (Brass Powder Coated)
- 014C (Satin Chrome – BHMA652)



014W

For new or replacement installations in wood jambs. Use with locksets having up to 5/8" throw, based on 1/8" door gap.

Face Plate 4-7/8" x 1-1/4" – Mortise Backset 1-5/8" – Cavity Depth 9/16" – Cavity Width 9/16" – Cavity Height 1-1/2"

Price:

- 014W (Brass Powder Coated)
- 014WC (Satin Chrome – BHMA652)

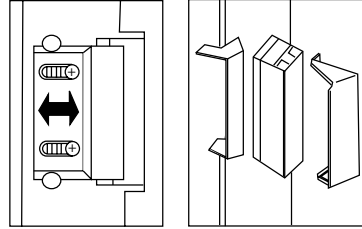
THE ADJUSTABLE 2000 SERIES



LIGHT COMMERCIAL STRIKES

FEATURES

- Allows adjustment for wider latch bolts & poorly aligned doors & locksets
- **1/8" Horizontal Latch Adjustment**
- **Releases Under Slight Door Pre-Load**
- 500,000 Life Cycles – Holding Force - 900 lbs
- Solid Cast Latch - Chrome Plated
- Non Handed Operation
- Screw Terminals - Quick Connection



<u>Voltage</u>	<u>Current/Amps</u>	<u>Ohms</u>	<u>Sound</u>	<u>Duty</u>
6-14VAC	0.44 - 1.10	8.5	Buzz	Intermittent
6-14VDC	0.70 - 1.60	8.5	Silent	Continuous
16-24VAC	0.22 - 0.33	50.0	Buzz	Intermittent
16-24VDC	0.32 - 0.47	50.0	Silent	Continuous
12VDC	0.20 - 0.33	60.0	Silent	Continuous
24VDC	0.11 - 0.47	120.0	Silent	Continuous



2001

For use in new or replacement wood or metal jamb installations with locksets having up to 5/8" throw, based on 1/8" door gap.

Price:

2001
(Brass Powder Coated)
2001C
(Satin Chrome – BHMA652)

Face Plate 5-7/8" x 1-1/4" – Narrow Style Face Plate – Mortise Backset 1-9/16" – Cavity Depth 9/16" – Cavity Width 5/8" – Cavity Height 1-11/16"



2002

For use in new or replacement, aluminum or hollow, metal jamb installations. Auxiliary lever ramps for use with locksets containing deadlocking levers. Use with latch bolts having up to 5/8" throw, based on 1/8" door gap.

Price:

2002
(Aluminum Powder Coated)
2002DB
(Dark Bronze Powder Coated)
RS (Fail Safe)
(on DC only – add "RS" to model #)

Face Plate 7-15/16" x 1-7/16" – Auxiliary Ramp Height 2-7/8" – Mortise Backset 1-9/16" – Cavity Depth 9/16" – Cavity Width 5/8" – Cavity Height 1-11/16"



2002WR

For use in new or replacement, aluminum or hollow, metal jamb installations. Auxiliary lever ramps for use with locksets containing deadlocking levers. Use with locksets having up to 5/8" throw, based on 1/8" door gap.

Price:

2002WR
(Aluminum Powder Coated)
2002WRDB
(Dark Bronze Powder Coated)
RS (Fail Safe)
(on DC only – add "RS" to model #)

Steel Face Plate 7-15/16" x 1-7/16" – Auxiliary Ramp Height 3-3/8" – Mortise Backset 1-9/16" – Cavity Depth 9/16" – Cavity Width 5/8" – Cavity Height 1-11/16"



2007

For use in new or replacement installations in metal jambs. Fits a standard 4-7/8" ANSI prep with little jamb modification. Use with locksets having up to 5/8" throw, based on 1/8" door gap.

Price:

2007
(Brass Powder Coated)
2007C
(Satin Chrome – BHMA652)
2007DB
(Dark Bronze Powder Coated)
RS (Fail Safe)
(on DC only – add "RS" to model #)

Steel Face Plate 4-7/8" x 1-1/4" – Narrow Style Face Plate – Mortise Backset 1-9/16" – Cavity Depth 9/16" – Cavity Width 5/8" – Cavity Height 1-11/16"

LIGHT COMMERCIAL STRIKES



2009

For use in new or replacement installations in metal jambs. Centerline of the latch is 3/8" below ANSI centerline for offset applications. Fits a standard 4-7/8" ANSI prep with little jamb modification. Use with locksets having up to 5/8" throw, based on 1/8" door gap.

Steel Face Plate 4-7/8" x 1-1/4" – Narrow Style Face Plate – Mortise Backset 1-9/16" – Cavity Depth 9/16" – Cavity Width 5/8" – Cavity Height 1-11/16"

Price:

2009
(Brass Powder Coated)
2009C
(Satin Chrome – BHMA652)
2007DB
(Dark Bronze Powder Coated)
RS (Fail Safe)
(on DC only – add "RS" to model #)



2012

For use in new or replacement, aluminum or hollow, metal jamb installations with locksets having up to 5/8" throw, based on 1/8" door gap.

Steel Face Plate 4-7/8" x 1-1/4" – Auxiliary Ramp 3-3/8" – Mortise Backset 1-9/16" – Cavity Depth 9/16" – Cavity Width 5/8" – Cavity Height 1-11/16"

Price:

2012
(Brass Powder Coated)
2012C
(Satin Chrome – BHMA652)
2012DB
(Dark Bronze Powder Coated)
RS (Fail Safe)
(on DC only – add "RS" to model #)



2678

For use in new or replacement aluminum, or hollow, metal jamb installations. Auxiliary lever ramps for use with locksets containing dead-locking levers. Useful when converting an MS Lock to a dead latch. Up to 5/8" throw, based on 1/8" door gap.

Face Plate 6-7/8" x 1-1/4" – Auxiliary Ramp 3-3/8" – Mortise Backset 1-9/16" – Cavity Depth 9/16" – Cavity Width 5/8" – Cavity Height 1-11/16"

Price:

2678
(Satin Aluminum – BHMA 628)
2678-US10
(Satin Bronze – BHMA 639)
RS (Fail Safe)
(on DC only – add "RS" to model #)

THE 1000 SERIES

FEATURES

- Releases Under Slight Door Pre-Load
- Non Handed Operation
- Durability - 500,000 Life Cycles
- Holding Force - 1000 lbs
- Taller latch cavity for easier door alignment.
- Screw Terminals - Quick Connection

Voltage	Current/Amps	Ohms	Sound	Duty
6-14VAC	0.495 - 1.09	8.5	Buzz	Intermittent
6-14VDC	0.650 - 1.24	8.5	Silent	Continuous
16-24VAC	0.270 - 0.48	50.0	Buzz	Intermittent
16-24VDC	0.380 - 0.61	50.0	Silent	Continuous



1001-2

For use in new or replacement installations in wood and metal jambs. For use with locksets having up to 5/8" throw, based on 1/8" door gap.

Steel Face Plate 5-7/8" x 1-1/4" – Narrow Style Face Plate – Mortise Backset 1-1/2" – Cavity Depth 9/16" – Cavity Width 9/16" – Cavity Height 1-11/16"

Price:

1001-2
(Brass Powder Coated)
1001-2C
(Satin Chrome – BHMA652)



1002-2

For use in new or replacement installations in wood and metal jambs. Auxiliary lever ramps for use with locksets which contain dead locking levers. For use with locksets having up to 5/8" throw, based on 1/8" door gap.

Face Plate 7-15/16" x 1-7/16" – Auxiliary Ramp 2-7/8" Height – Mortise Backset 1-1/2" – Cavity Depth 9/16" – Cavity Width 9/16" – Cavity Height 1-11/16"

Price:

1002-2A
(Aluminum Powder Coated)
1002-2DB
(Dark Bronze Powder Coated)



234WB – STROBE CHIME “See” Your Door Ring!!

- Sound and Sight - 8 note Westminster or 2-note sound with flashing parallel light
- Simply plug-in - as many as desired wherever desired
- Volume control- adjust to desired intensity
- Up to 100 ft. operating range
- A23 battery included
- FCC-IC approved, UL, CSA recognized
- 128 selectable channels - avoid false triggering
- 80db at 3 feet at max setting
- 6 Foot-Candles strobe output

Price:
234WB



232 – BATTERY OPERATED

- Requires 3 “C”batteries (not included)
- Opal white color
- Up to 100ft operating range
- 64 selectable security codes
- Field selectable 2 note or 1 note
- A-23 battery included
- FCC-IC approved

Price:
232



233 – PLUG IN

- Plugs into 120VAC outlet
- Opal white color
- 128 selectable security codes
- Field selectable 8 note or 2 note
- Up to 100 ft. operating range
- A-23 battery included
- UL recognized, FCC-IC approved”

Price:
233



235 – WIRELESS MECHANICAL CHIME

TRADITIONAL TONE BAR SOUND

THE EASE OF WIRELESS TECHNOLOGY

- Only “Wireless Mechanical Door Chime on the market”
- Up to 125 ft range
- 128 selectable security codes
- Battery operated requiring 4 “C” batteries (not included)
- Field selectable push button 2 note or 1 note
- A-23 battery included – Low battery indicator
- FCC-IC approved

Price:
235

*** 017TDC-2 HAS BEEN DISCONTINUED ***



017TDC-3 – WIRELESS CONTROLLER DOUBLE RELAY

- **300 foot range**
- Separate time delay of 5-30 seconds for each relay.
- Two 5 amp ‘Normally Open’ and ‘Normally Closed’ contacts, rated at 12 thru 30 volts AC/DC
- Relays can be coupled to work simultaneously or individually controlled by the 018-2’s buttons.
- Superheterodyne low radiant receiver
- **Must be used with the 018-2 Transmitter**
- Can act as a wireless controlled relay without supplying output power.

Price:
017TDC-3



018-2 – WIRELESS TRANSMITTER TWO BUTTON TRANSMITTER

- 6561 security codes available
- LED indicates operation
- Belt clip key ring provided
- Operates on 315 Mhz
- A-23 Battery Included
- FCC, IC Approved

Price:
018-2

WIRELESS KITS

017-1805

- 017TDC-3/018-2 w/ additional transformer,
- 5205 tri-volt transformer 8-16-24 AC plug-in type
- 017TDC-3 receiver, 018-2 transmitter, A-23 Battery Included
- FCC/IC Approved

Price:
017-1805

017-1808

- 017TDC-3/018-2 w/ additional transformer
- 5208 transformer 12DC plug-in type
- 017TDC-3 receiver, 018-2 transmitter, A-23 Battery Included
- FCC/IC approved

Price:
017-1808

017-1809

- 017TDC-3/018-2 w/ additional transformer
- 5209 transformer 24DC plug-in type
- 017TDC-3 receiver, 018-2 transmitter A-23 Battery Included
- FCC/IC approved

Price:
017-1809

032

- 017TDC-3/018-2, transformer & 2-3/4" ANSI electric strike
- 3234-24DC-26D electric strike
- 5209 plug-in type 24VDC transformer
- 017TDC-3 wireless receiver, 018-2 transmitter

Price:
032

034

- 017TDC-3/018-2, transformer & 3478, 4-7/8" ANSI electric strike
- 3478-24DC-32D electric strike
- 5209 plug-in type 24VDC transformer
- 017TDC-3 wireless receiver, 018-2 transmitter

Price:
032



206-2 – MOTION ALERT ANNUNCIATOR

- Moving objects are detected by changes in reflected light
- Battery operated with 2 “C” cells (not included)
- Ready for mounting
- 3 selectable tones, 8 note melody, 2 note repeated, 2 note alternating tone
- Off, high & low volume control switch 77db (low) and 84db (high) @ 3 ft
- Durable white molded plastic case 3-1/6” x 4-3/8” x 2-3/8”

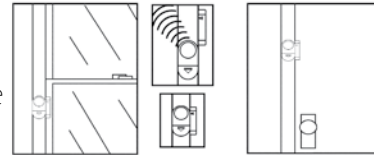
Price:
206-2



215 – WINDOW/DOOR ENTRY/EXIT SIGNAL KIT

- N/O magnetic contact switch activates alarm
- User can set for Chime or 105db alarm sound
- On/Off switch
- No wiring
- (3) L1 154 batteries (included)
- Contacts provided with mounting tape

Price:
215



206-3 – WIRELESS ENTRY/EXIT SIGNAL KIT

- 1 note, 2 note or 8 note melody chime, field selectable
- Wireless battery-operated door contact switch A-23 battery (included)
- Up to 100ft range – 128 selectable codes
- Receiver plugs into 120 VAC outlet
- Transmitter mounting hardware provided
- Adjustable volume control
- 74db (low) 82db (high) @ 3ft
- UL recognized, FCC-IC approved

Price:
206-3



340 – ELECTRIC DOOR SWITCH

- Face plate brass finish 4”H x **1-1/2”W**
- Box 3”H x 1-3/8”W x **1-3/4”D**
- Switch Rating: 120VAC, 10 Amps 250VAC, 5 Amps
- Field selectable N/C or N/O
- Stamped steel case – UL, CSA listed switch & wireleads
- Faceplate Powder Coated Brass
- 4 - knockouts 7/8”

Price:
340



342 – ELECTRIC DOOR SWITCH (NARROW STYLE)

- Face plate brass finish 3-7/8”H x **1-1/4”W**
- Box 2-5/8”H x 1-3/16”W x **2-1/8”D**
- Switch Rating: 120VAC, 10 Amps 250VAC, 5 Amps
- Field selectable N/C or N/O
- Stamped steel case – UL, CSA listed switch & wireleads
- Faceplate Powder Coated Brass
- 4 - knockouts 7/8”

Price:
342

ACCESSORIES



201 – CHIME KIT

- (1) White chime base, (2) Unlighted 66W white push buttons, and (1) 16VAC-10VA Hardwire transformer
- Mounting hardware included, excluding wire
- Offers 2 note front door/1 note rear door ability

Price:
201



203 – CHIME KIT

- (1) White chime base, (1) Lighted 45LG push button, and (1) 16VAC-10VA Hardwire transformer
- Mounting hardware included, excluding wire
- Offers 2 note front door/1 note rear door ability

Price:
203



240 – CHIME

- Chime base with solid white cover
- Offers 2 note front door/ 1 note rear door ability
- Operating voltage 12-24VAC – Mounting base hardware provided
- 80 db sound at 3 feet – Outer dimension 7-1/4" x 4-3/4" x 1-7/8"

Price:
240



296 – CHIME

- Chime base with solid white cover
- Offers 2 note front door/1 note rear door ability
- Operating voltage 12-16VAC – Mounting base hardware included
- 75db sound at 3 feet – Outer dimension 1-1/8" x 4" x 2"

Price:
296



270 – BUZZER

- Enclosed buzzer – 92db sound at 3 feet
- Operating range 3-6VDC, 8-16 VAC, 1 Amp draw
- Bright chrome finish
- Includes mounting hardware

Price:
270



272 – BELL

- 100 db sound at 3 feet – 2-1/2" open bell
- Operating range 3-6VDC, 8-16 VAC, 1 Amp draw
- Bright chrome finish
- Includes mounting hardware

Price:
272



274 – BELL

- 100 db sound at 3 feet – 4" open bell
- Operating range 3-6VDC, 8-16 VAC, 1 Amp draw
- Bright chrome finish
- Includes mounting hardware

Price:
274



275 – ENCLOSED BELL

- 88 db at 3 feet
- Operating range: 3-8VDC, 1.4 Amp draw
- 6-8VAC, 0.7 Amp draw
- Grey finish – Includes mounting hardware

Price:
275



276 – ENCLOSED BELL & BUZZER

- 88 db at 3 feet
- Operating range: 3-8VDC, 1.4 Amp draw
- 6-8VAC, 0.7 Amp draw
- Grey finish – Includes mounting hardware

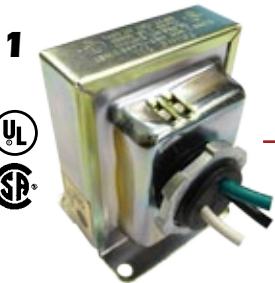
Price:
276

LOW VOLTAGE TRANSFORMERS



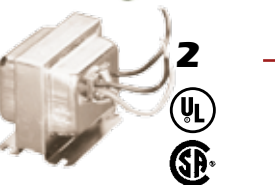
ACCESSORIES

For electric strikes, bells, buzzers, chimes, and other low voltage devices. A complete line of U.L. listed step down transformers. Easy to install, low voltage, 120AC primary for residential, commercial and industrial uses. Transformers will safely take themselves off line when they overheat. Transformers can be either base mounted or attached to standard knockouts on boxes or cabinets (except plug-in types.) All primary leads are pre stripped for quick connection.



- 1**
- For standard 1/2" knockouts
 - 2-5/32"D x 2-1/2"H x 2"W 8oz
 - 120 volt primary AC
 - **Electric Characteristics:** 16VAC – 10VA – 0.625 AMPS

Price:
522



- 2**
- Equipped with convenient screw-bracket mounting clamp for standard 1/2" knockouts
 - 120 volt primary AC
 - 2-1/4"D x 2-3/16"H x 2-5/16"W 13oz
 - **Electric Characteristics:** 8VAC – 10VA – 1.25 AMPS
16VAC – 10VA – 0.62 AMPS
24VAC – 20VA – 0.83 AMPS

Price:
525



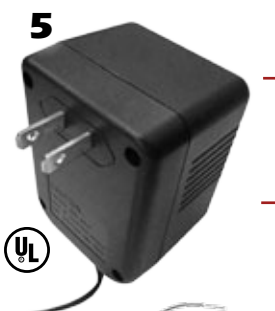
- 3**
- Equipped with convenient screw-bracket mounting clamp for standard 1/2" knockouts
 - 120 volt primary AC
 - 2-15/16"D x 2-7/32"H x 2-11/32"W 11b 6oz
 - **Electric Characteristics:** 8VAC – 20VA – 2.50 AMPS
16VAC – 30VA – 1.88 AMPS
24VAC – 30VA – 1.25 AMPS

Price:
598



- 4**
- Equipped with convenient screw-bracket mounting clamp for standard 1/2" knockouts
 - 120 volt primary AC
 - 2-15/16"D x 2-3/16"H x 2-11/32"W 11b 6oz
 - **Electric Characteristics:** 24VAC – 40VA – 1.65 AMPS

Price:
599



- 5**
- 120 volt primary AC
 - 2"D x 3"H x 2-1/2"W 7oz
 - **Electric Characteristics:** 24VAC – 20VA – 0.834 AMPS

Price:
5201



- 6**
- 120 volt primary AC
 - 2"D x 3"H x 2-1/2"W 7oz
 - **Electric Characteristics:** 16VAC – 20VA – 1.250 AMPS

Price:
5203



- 120 volt primary AC
- 2"D x 3"H x 2-1/2"W 7oz
- **Electric Characteristics:** 12VAC – 20VA – 1.667 AMPS

Price:
5204

- 120 volt primary AC
- 2"D x 3"H x 2-1/2"W 7oz
- **Electric Characteristics:** 8VAC – 10VA – 1.25 AMPS
16VAC – 10VA – 0.62 AMPS
24VAC – 20VA – 0.83 AMPS

Price:
5205

- 120 volt primary AC, Corded output lead
- 2"D x 3-1/4"H x 2-3/8"W 11b 2oz
- **Electric Characteristics:** 12VDC – 12VA – 1.00 AMPS

Price:
5208

- 120 volt primary AC, Corded output lead
- 2"D x 3-1/4"H x 2-3/8"W 11b 2oz
- **Electric Characteristics:** 24VDC – 12VA – 0.50 AMPS

Price:
5209

- SR1 – (6) – SILICON RECTIFIER (SR-1) Not Recommended for 4850**
- For converting AC voltage to DC voltage
 - For AC power supplies up to 27 volt AC 1 amp.
 - Note: DC strikes do not buzz, click only
 - Size 1" x 1/2" x 1"
 - **Electric Characteristics:** 12-27VAC – 1.00 AMPS

Price:
SR1

PUSH BUTTONS MUST BE PURCHASED IN PACKS OF 10 UNLESS NOTED



1

JRP – (img 1) – Polished Solid Brass w/ black center
1-3/4" Body Diameter – for use up to 30 volts AC or DC

Price:
JRP

SRP – (img 1) – Polished Solid Brass w/ black center
2-1/4" Body Diameter – for use up to 30 volts AC or DC

Price:
SRP

45A – (img 2) – Silver Rim with Pearl Center
5/8" Body Diameter – for use up to 30 volts AC or DC

Price:
45A

45G – (img 2) – Gold Rim with Pearl Center
5/8" Body Diameter – for use up to 30 volts AC or DC

Price:
45G



2

45LA – (img 2) – Silver Rim with Lighted Pearl Center
5/8" Body Diameter – for use up to 16 volts AC or DC

Price:
45LA

45LG – (img 2) – Gold Rim with Lighted Pearl Center
5/8" Body Diameter – for use up to 16 volts AC or DC

Price:
45LG



3

65P – (img 3) – Weatherproof Polished Solid Brass
2-1/2" Body Diameter ***Single Packs Only** – for use up to 30 volts AC or DC

Price:
65P

66B – (img 4) – Black with White Bar Molded Plastic
2-3/4"L X 3/4"W X 5/8"H – for use up to 30 volts AC or DC

Price:
66B

66C – (img 4) – Silver w/ White Bar Molded Plastic
2-3/4"L X 3/4"W X 5/8"H – for use up to 30volts AC or DC

Price:
66C

66G – (img 4) – Gold w/ White Bar Plated Molded Plastic
2-3/4"L X 3/4"W X 5/8"H – for use up to 30 volts AC or DC

Price:
66G

66W – (img 4) – White with White Bar Molded Plastic
2-3/4"L X 3/4"W X 5/8"H – for use up to 30 volts AC or DC

Price:
66W

66LB – (img 4) – Lighted Black w/ White Bar Molded Plastic
2-3/4"L X 3/4"W X 5/8"H – for use up to 16 volts AC or DC

Price:
66LB

66LC – (img 4) – Lighted Silver w/ White Bar Plated Molded Plastic
2-3/4"L X 3/4"W X 5/8"H – for use up to 16 volts AC or DC

Price:
66LC

66LG – (img 4) – Lighted Gold w/ White Bar Plated Molded Plastic
2-3/4"L X 3/4"W X 5/8"H – for use up to 16 volts AC or DC

Price:
66LG

66LW – (img 4) – Lighted White w/ White Bar Molded Plastic
2-3/4"L X 3/4"W X 5/8"H – for use up to 16 volts AC or DC

Price:
66LW



4

71A – (img 5) – Anodized Aluminum Housing w/ Black Bar
2-3/4"L X 1"W X 3/4"H – for use up to 30 volts AC or DC

Price:
71A

71G – (img 5) – Anodized Brass Aluminum Housing w/ Black Bar
2-3/4"L X 1"W X 3/4"H – for use up to 30 volts AC or DC

Price:
71G

71LA – (img 5) – Lighted Anodized Aluminum Housing w/ White Bar
2-3/4"L X 1"W X 3/4"H – for use up to 16 volts AC or DC

Price:
71LA

71LG – (img 5) – Lighted Anodized Brass Aluminum Housing w/ White Bar
2-3/4"L X 1"W X 3/4"H – for use up to 16 volts AC or DC

Price:
71LG

91P – (img 6) – Multi-Family, Polished Solid Brass Housing
4-3/4"L X 5/8"W X 3/4"H – for use up to 30 volts AC or DC

Price:
91P

***Must be ordered in 5 pack quantity**

94P – (img 6) – 3-Button Multi-Family, Polished Solid Brass Housing
7"L X 5/8"W X 3/4"H – for use up to 30 volts AC or DC

Price:
94P

***Must be ordered in 5 pack quantity**



6

PUSH BUTTONS MUST BE PURCHASED IN PACKS OF 10 UNLESS NOTED

ALTERNATING CURRENT (AC)

An electric current that reverses direction in a circuit at regular intervals.

CONTINUOUS DUTY

A device that is designed to operate continuously without rest.

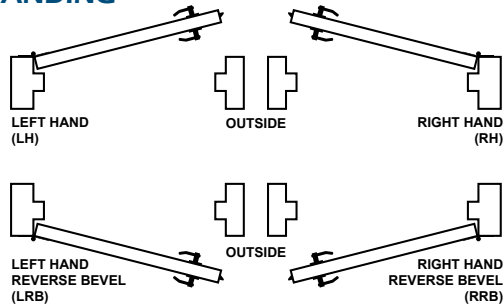
CURRENT

Measured flow of electrons through an electrical conductor. Normally measured in amperes.

DIRECT CURRENT

An electric current flowing in one direction.

DOOR HANDING



HANDING OF DOOR IS ALWAYS DETERMINED FROM THE OUTSIDE.

FAIL SAFE

A device that is normally open and locks when power is applied to the unit. Example: During a loss of power the device remains open. Often listed as "RS"

FAIL SECURE

A device that is normally closed or locked until power is applied. Example: During a loss of power the device remains locked.

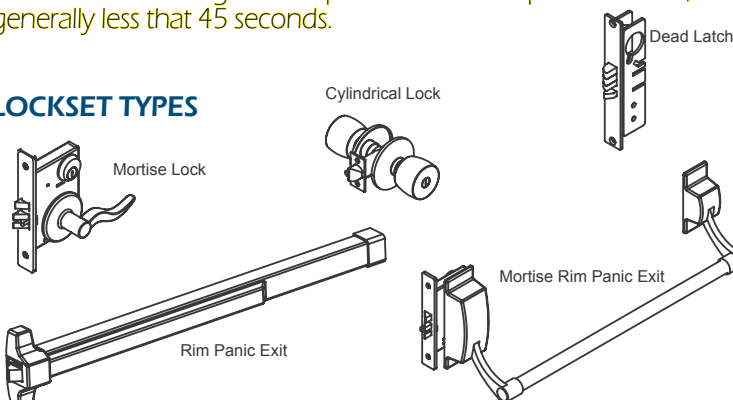
FUSE

A device that is placed in the path of energy that will break the circuit if the current becomes too great. This is accomplished by having a strip or metal that will melt when the current exceeds the required amount.

INTERMITTENT DUTY

A device that is designed to operate for a short period of time; generally less than 45 seconds.

LOCKSET TYPES



NORMALLY OPEN

The contacts of a switch or relay are normally open or not connected. When activated the contacts close or become connected. EXAMPLE: A switch is not depressed and the circuit is not complete.

NORMALLY CLOSED

The contacts of a switch or relay are normally closed or connected. When activated the contacts open or become disconnected. EXAMPLE: A switch is not depressed and the circuit is complete.

OHMS

The measure of resistance of an electrical device to resist the flow of energy.

RECTIFIER

A device that is commonly used to convert AC to DC. Commonly used to silence the audible sound that an electrical strike can make while energized on AC current.

RELAY

An electro-magnetic device activated by a variation in conditions in one electric circuit and controlling a larger current or actuating other devices in the same or another electric circuit.

STANDARD VOLTAGE

Electric door strike supplied with magnetic coils: 4-6VDC/8-16VAC. Electric door strikes supplied with a solenoid coil: 6-10VDC, 10-16VAC: other voltages available.

TRANSFORMER

A device consisting essentially of two or more coils of insulated wire that transfers alternating current by electro-magnetic induction from one winding to another at the same frequency, but usually with changed voltage & current.

VOLT

A unit of electric potential equal to the difference of electric potential between two points that have a resistance of one ohm and through which a current of one ampere is flowing.

VOLTAGE DROP?

We recommend the following wire sizes:

Wire Length	12V	24V
Up to 50 ft.	18 AWG	20 AWG
51-150 ft.	16 AWG	18 AWG
151-300 ft.	14 AWG	16 AWG
301-600 ft.	12 AWG	14 AWG

WATT

The power developed in a circuit by a current of one ampere flowing through a potential difference of one volt.



ADDITIONAL NOTES

FIND MORE INFO AT TRINEONLINE.COM

CONDITIONS OF SALE Distributors and Other Commercial Customers

Note: The following Conditions of Sale are subject to change: All Sales Transactions are subject to the latest published Conditions of Sale of Trine Access Technology Corporation and to any Special Conditions of Sale which may be contained in applicable Trine quotations and acknowledgements. Modified product warranties are provided to consumers.

1. ACCEPTANCE, GOVERNING PROVISIONS AND CANCELLATIONS. No order for Trine Access Technology or services shall be binding until accepted by a writing of an authorized official of Trine or by shipment or other performance of such order. Any such order shall be subject to these Conditions of Sale, and acceptance shall be expressed in writing to such Conditions, which assent shall be deemed given unless purchaser shall expressly notify Trine to the contrary prior to the earlier of any shipment or other performance of an order or purchaser's receipt of goods. Trine's acknowledgement or confirmation of such order. Trine expressly reserves the right to reject and withdraw acceptance of any order.

No order accepted by Trine may be altered or modified by purchaser unless agreed to in a writing signed by an authorized official of Trine, and no such order may be canceled or terminated except upon payment of Trine's loss, damage and expense arising from such cancellation or termination. These Conditions of Sale may not be supplemented or modified by course of dealing, course of performance or any oral communication between the parties. No modified or other conditions will be recognized by Trine unless specifically agreed to in writing and failure of Trine to object to provisions contained in any purchase order or other communication from a purchaser (including, without limitation, penalty clauses of any kind) shall not be construed as a waiver of these Conditions nor an acceptance of any such provisions.

Unless otherwise agreed in writing by a duly authorized representative of Trine, products sold hereunder are not intended for use or in connection with a nuclear facility or activity. If so used, Trine disclaims all liability for any nuclear damage, injury or contamination, and purchaser shall indemnify Trine against any such liability, whether as a result of breach of contract, warranty, tort (including negligence) or otherwise. Any contract for sale and these Conditions shall be governed by and construed according to the laws of the State of New York. Any dispute arising out of or relating to these Conditions of Sale or any matter relating hereto shall be brought in the federal or state courts sitting in or for the Bronx, New York, and the parties waive any objection they may have to the jurisdiction or subject matter of these courts.

2. QUOTATIONS AND PRICES. Written quotations are conditioned upon acceptance by purchaser within thirty (30) days from the date issued and shall be considered as offers by Trine to sell during such thirty (30) day period on these Conditions of Sale unless sooner terminated by notice. Other Trine publications are maintained as sources of general information and are not quotations or offers to sell.

All clerical errors are subject to correction.

MINIMUM ORDER: \$75.00 Net. DROP SHIP FEE: Trine reserves the right to charge a fixed fee of \$ 10.00 for shipping to an address other than customers.

All prices are subject to change without notice. In the event of a net price change, the price of equipment on order but unshipped will be adjusted to the price in effect at the time of shipment. Downward adjustment of prices shall apply only to unshipped portions of outstanding orders. 3. PAYMENT TERMS. Unless otherwise agreed by Trine, terms of payment for Trine products to purchasers of satisfactory credit are either (1) a 1% cash discount for all invoices paid in full if the payment is received by Trine within 10 days after the date of Trine's invoice or (2) full payment to be received by Trine within 30 days after the date of Trine's invoice. Applicable terms of payment are stated in quotations or on the discount sheet for the product involved. Cash discount will apply only to the net amount of the invoice after transportation charges and taxes. A late charge of 1% per month or the maximum amount permitted by law will be applied to all past due amounts.

Trine reserves the right at any time to demand full or partial payment before proceeding with a contract of sale if, in its judgment, the financial condition of purchaser shall not justify the terms of payment specified. If delivery is delayed or deferred by purchaser beyond the scheduled date, payment shall be due in full when Trine is prepared to ship and the products may be stored at the risk and expense of purchaser. If purchaser defaults when any payment is due, then the whole contract price shall become due and payable upon demand, or Trine, at its option, without prejudice to other lawful remedies, may defer delivery or cancel the contract for sale.

4. TAXES AND OTHER CHARGES. Any manufacturer's tax, retailer's occupation tax, use tax, sales tax, excise tax (except the Federal excise tax on vehicles), duty, custom, inspection or testing fee, or other tax, fee or charge of any nature whatsoever, imposed by any governmental authority, on or measured by any transaction between Trine and purchaser, shall be paid by purchaser in addition to the prices quoted or invoiced. In the event Trine shall be required to pay any such tax, fee or charges, purchaser shall reimburse Trine therefor, or, in lieu of such payment, purchaser shall provide Trine at the time the order is submitted with an exemption certificate or other document acceptable to the authority imposing the same. Purchase orders must state the existence and amount of any such tax, fee or charge which it shall be Trine's responsibility to collect from purchaser and pay.

5. DELIVERY. Delivery of products to a carrier at any Trine facility or other shipping point shall constitute delivery to purchaser, and, regardless of freight payment, title and all risk of loss or damage in transit shall pass to purchaser at that time. Trine cannot be held responsible for breakage after having received "in good order" receipts from the transportation company. All claims for loss and damage must be made by purchaser to the carrier. Claims for shortages or other errors must be made in writing to Trine within 15 days after receipt of shipment, and failure to give such notice shall constitute unqualified acceptance and a waiver of such claims by purchaser. Unless otherwise agreed by Trine in quotations, discount schedules, catalogs or other Trine publications, all expenses of freight FOB Trine's place of shipment shall be borne by purchaser. No allowance will be made in lieu of transportation if purchaser accepts shipment at factory, warehouse, freight station, or otherwise supplies its own transportation. Method and route of shipment will be at the discretion of Trine unless purchaser shall specify otherwise, and any additional expense of the method or route of shipment specified by purchaser shall be borne by purchaser. Trine reserves the right to make delivery in installments, unless otherwise expressly stipulated in the contract for sale, and all such installments when separately invoiced shall be paid for when due per invoice, without regard to subsequent deliveries. Delay in delivery of any installment shall not relieve purchaser of its obligations to accept remaining deliveries.

6. SUBSTITUTES. Trine may furnish suitable substitutes for materials unobtainable because of priorities or regulations established by governmental authority or non-availability of materials from suppliers, and assumes no liability for deviation from published dimensions and descriptive information not essential to proper performance of the products.

7. WARRANTIES TO DISTRIBUTORS AND OTHER COMMERCIAL CUSTOMERS. Trine warrants products manufactured by it to be free from defects in materials and workmanship for a period of one (1) year from date of shipment by Trine, except for all Axion (R) labeled products which are covered for two (2) years from date of shipment by Trine. If within such period any such products shall be proved to Trine's satisfaction to be so defective, such products shall be repaired or replaced at Trine's option. This warranty shall not apply (a) to products not manufactured by Trine, (b) to products which shall have been repaired or altered by other than Trine so as, in its judgment, to affect the same adversely, or (c) to equipment which shall have been subjected to negligence, accident or damage by circumstances beyond Trine's control, or to improper operation, maintenance or storage, or to other than normal use or service. With respect to products not manufactured by Trine, the warranty obligations of Trine shall in all respect conform and be limited to the warranty actually extended to Trine by its supplier. The foregoing warranties do not cover reimbursement for transportation, removal, installation, or other expenses which may be incurred in connection with repair or replacement. Except as may be expressly provided in an authorized writing by Trine, Trine shall not be subject to any other obligations or liabilities whatsoever with respect to products manufactured by Trine or services rendered by Trine.

THE FOREGOING WARRANTIES ARE EXCLUSIVE AND IN LIEU OF ALL OTHER EXPRESS AND IMPLIED WARRANTIES, INCLUDING WITHOUT LIMITATION TITLE, MERCHANTABILITY AND FITNESS FOR A PARTICULAR PURPOSE.

8. LIMITATION OF LIABILITY. Anything to the contrary herein contained notwithstanding, TRINE ACCESS TECHNOLOGY, ITS CONTRACTORS AND SUPPLIERS OF ANY TIER SHALL NOT BE LIABLE IN CONTRACT, IN TORT (INCLUDING NEGLIGENCE OR STRICT LIABILITY) OR OTHERWISE FOR ANY SPECIAL, INDIRECT, INCIDENTAL CONSEQUENTIAL, PUNITIVE, OR EXEMPLARY DAMAGES WHATSOEVER. The remedies of the purchaser set forth herein are exclusive where so stated and the total cumulative liability of Trine, its contractors and suppliers of any tier, with respect to this contract or anything done in connection therewith, such as the use of any product covered by or furnished under the contract, whether in contract, in tort (including negligence or strict liability) or otherwise, shall not exceed the price of the product or part on which such liability is based. Further, any claim purchaser may have with reference to Trine products or services sold or provided hereunder shall be deemed waived by purchaser unless asserted against Trine in writing within 90 days from the date the purchaser discovered, or should have discovered, the basis for the claim.

9. RETURN OF EQUIPMENT. No products may be returned without first obtaining Trine's written permission and a returned goods authorization number. Products accepted for credit, not involving a Trine error, shall be subjected to a minimum service charge of \$25.00, or a charge of 15% of invoice, whichever is greater, plus all transportation charges incurred by Trine. THE MINIMUM RESTOCKING CHARGE IS \$25.00. Returned products must be securely packed to reach Trine without damage, any cost incurred by Trine to put the products in first class condition will be charged to purchaser.

10. PATENTS. As to products sold to purchaser by Trine, Trine shall defend any suit or proceeding brought against purchaser so far as based on a claim that said products constitute an infringement of any patent of the United States, if notified promptly in writing and given authority, information and assistance at Trine's expense for the defense of the same. In the event of a final award of costs and damages, Trine shall pay such award. In the event the use of said products by purchaser is enjoined in such a suit, Trine shall, at its own expense, either (a) procure for purchaser the right to continue using said products, (b) modify said equipment to render them non-infringing, (c) replace said products with non-infringing products, or (d) refund the purchase price (less depreciation) and the transportation and installation costs of said products. Trine will not be responsible for any compromise or settlement made without its written consent. The foregoing states the entire liability of Trine for patent infringement, and in no event shall Trine be liable if the infringement charge is based on the use of Trine products for a purpose other than that for which sold by Trine, any alteration to the Trine products or the use of the Trine products with any other product or service not manufactured by Trine. As to any products furnished by Trine to purchaser and manufactured in accordance with designs proposed by purchaser, purchaser shall indemnify Trine against any award made against Trine for patent, trademark, or copyright infringement.

11. PATTERNS AND TOOLS. Notice will be given if special patterns or tools are required to complete any order. Charges for such patterns or tools do not convey title thereto or the right to remove them from Trine's plant. If patterns or tools are not used for a period of two years, Trine shall have the right to scrap them without notice.

12. FORCE MAJEURE. Trine shall not be liable in damages or otherwise for delays in shipment or default in delivery for any reason of force majeure or for any cause beyond Trine's reasonable control including, but not limited to (a) an act of nature, (b) government action, war, riots, civil commotion, embargoes or martial laws, (c) Trine's inability to obtain necessary materials from its usual sources of supply, (d) shortage of labor, raw material, production or transportation facilities or other delays in transit, (e) other contingencies of manufacture or shipment. In the event of any delay in Trine's performance due in whole or in part to any cause beyond Trine's reasonable control, Trine shall have such additional time for performance as may be reasonably necessary under the circumstances. Acceptance by purchaser of any goods shall constitute a waiver by purchaser of any claim for damages on account of any delay in delivery of such goods.

CROSS REFERENCE CHART FOR PREMIUM ELECTRIC STRIKES

TRINE	Folger Adams	H.E.S.	Von Duprin	Adams Rite	RCI
4850	N/A	9400Δ	N/A	N/A	N/A
4800	N/A	9500***, 9600	6300***	N/A	0162
EN400	712/712-75/732 732-75/642CYL	1006J/7501	6211/6211WF	7200	2114/F4114*
EN430	652SYL	1006KD	6210	N/A	2134/2334
EN435	652RFL	1006K	6210	N/A	2124
EN800**	310-4**	7000-783S**	6112**	71R1	0161
EN850**	310-4**	7000-789S**	N/A	N/A	N/A
EN900	N/A	1003J-2	N/A	N/A	2319/F4119*
EN900W	N/A	1003J-2	N/A	N/A	N/A
EN950	310-2	7505	6215/6226	N/A	N/A
EN950W	310-2W	N/A	N/A	N/A	N/A
EN960	310-2 3/4	N/A	6214/6224	N/A	N/A
323478LC	N/A	N/A	N/A	N/A	N/A
3234	N/A	N/A	N/A	N/A	N/A
3234W	N/A	N/A	N/A	N/A	N/A
3258‡	N/A	N/A	N/A	N/A	N/A
3458Ω	N/A	N/A	N/A	N/A	N/A
3478‡	N/A	5000/5200+501	N/A	7400+	L6514+
3478RD‡	N/A	5000/5200+501"A"	N/A	7401+	L6504+

+ Strike has 1 1/16" backset vs. 1" backset for 3000 Series.

Ω Requires 80% less cutting of frame. Fills the frame preparation of the Adams Rite MS Locks without the need to relocate tabs for 6 5/8" or 6 7/8" electric strikes.

‡ Requires 60% less frame face cutting other than models listed.

Δ 9400 can only handle up to a 1/2" throw – The 4850 can take up to a 1" throw.

* UL 90 Minute Fire Rated

** All Stainless Steel construction

*** Model 9500/6300 has a 3-hour fire rating. **The 4800 is a cross-over if fire rating is not required.**

NOTE: There may be variations in physical size or electrical characteristics between manufacturers. Information in the above chart based on manufacturers' catalogs and reference should be made to manufacturer's catalog for complete detail comparisons.



TRINE ACCESS TECHNOLOGY

**1440 FERRIS PLACE
BRONX, NY 10461**

PH: 718.829.2332 FX: 718.829.6405

www.trineonline.com